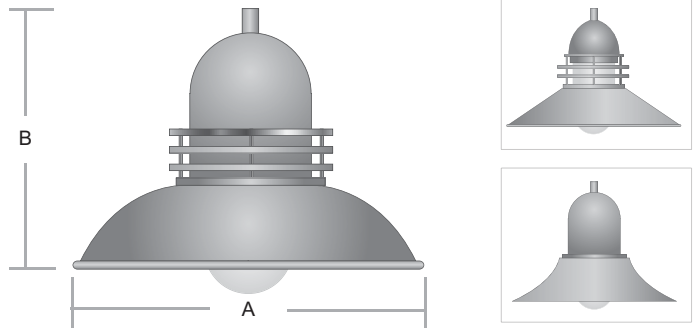


# Pavillion II



## Dimensional Drawings



\*approx lbs based on heaviest configuration w/packaging

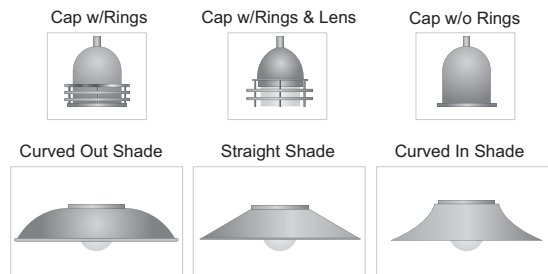
Fixture	A	B	Max. Watt	Lbs*
<b>PAV-1</b>	23"	18"	175w	30

The **Pavillion II Series** combines the features of the Newcastle, Pacifica, and Pavillion to create a new, versatile and contemporary fixture ideal for architectural applications where scale and style are essential.

The standard lens is a vapor proof, lightly diffused glass capsule, with a symmetrical light pattern. Decorative rings are 3/8" cast aluminum (standard) or clear acrylic. The standard shade is curved out; straight and curved-in designs are available and include a Dark Sky vertical lamp flat glass lens option.

Durable polyester powder coat finish is available in an array of architectural colors. A wide selection of light sources include compact fluorescent lamps, Metal Halide, High Pressure Sodium, or Pulse Start Metal Halide.

The **Pavillion II Series** is an elegant choice for retail settings, restaurants, marinas, sports arenas, and pedestrian lighting applications.



Model No.	Optics	Wattage	Source	Voltage	Mounting	Finish	Options
<b>PAV</b>							

Model	Optics	Wattage	Source	Voltage	Mounting	Finish	Options
<input type="checkbox"/> PAV-1	Symmetrical Light Distribution (Standard)	<input type="checkbox"/> 26CF (26) <input type="checkbox"/> 32CF (32) <input type="checkbox"/> 42CF (42) <hr/> <input type="checkbox"/> 70 (70) <input type="checkbox"/> 100 (100) <input type="checkbox"/> 150 (150) <input type="checkbox"/> 175 (175)	<input type="checkbox"/> Compact Fluorescent (CF) <hr/> PS, HPS PS, HPS PS, HPS MH, PS (M), (P), (S) <input type="checkbox"/> <input type="checkbox"/> <input type="checkbox"/>	<input type="checkbox"/> 120 (1) <input type="checkbox"/> 208 (2) <input type="checkbox"/> 240 (3) <input type="checkbox"/> 277 (4) <input type="checkbox"/> 480 (5) <input type="checkbox"/> M.Tap (6)	<input type="checkbox"/> Arm Mount (AM)	<input type="checkbox"/> Bronze (BZ) <input type="checkbox"/> Black (BK) <input type="checkbox"/> White (WH) <input type="checkbox"/> Green (GN) <input type="checkbox"/> Grey (GY) <input type="checkbox"/> Silver Metallic (SL) <input type="checkbox"/> Custom (CC)	<p><u>Fusing</u></p> <p>*Single In-Line Fuse *Specify voltage</p> <input type="checkbox"/> (SF120) <input type="checkbox"/> (SF277) <p>*Double In-Line Fuse *Specify voltage</p> <input type="checkbox"/> (DF208) <input type="checkbox"/> (DF240) <input type="checkbox"/> (DF480) <input type="checkbox"/> Cap without Rings (CMR) <input type="checkbox"/> Cap with Rings and Lens (CRL) <input type="checkbox"/> Clear Glass Capsule Lens (CG) <input type="checkbox"/> Clear Acrylic Rings *non-illuminative (CLR) <input type="checkbox"/> Straight Shade (STS) <input type="checkbox"/> Curved-In Shade (CIS)

\*All multitap ballasts are wired at 277 volts unless specified.

347v available; consult factory

\*See Mounting Section for wall mount options

\*Note: Dark Sky Vertical Lamp Flat Glass version available with straight & curved-in shades in T3 & T5 distribution patterns; consult factory to order.

For more detailed information on mounting, wiring, or installation instructions, please consult factory. Note that if Poles are not ordered with fixtures, please specify the mounting requirements. This document contains proprietary information of Visionaire Lighting, LLC. Any use of this information requires the written approval of Visionaire Lighting, LLC. In keeping with our TQM policy of continuous improvement, Visionaire reserves the right to change any specifications contained herein without prior notice.



19645 Rancho Way • Rancho Dominguez, CA • 90220  
 Tel: 310.512.6480 • Fax: 310.512.6486  
 www.visionairelighting.com

# Pavillion II

## Housing

- The housing is constructed from a two piece, heavy gauge spun aluminum ballast housing and reflector shade with rolled edge for added strength. Optional straight and curved-in shades also available.
- All external hardware is stainless steel.

## Lens and Door Assembly

- The lens is a vapor proof, lightly diffused glass capsule, threaded at the end for easy relamping. Optional vapor proof clear glass capsule lens and clear acrylic lens. Dark Sky friendly flat glass lens also available.

## Optical System

- The optics are derived from the combination of the internal glass refractor and the external reflector shade. The lens also contributes to the light distribution. Dark Sky optics available with VLFG option.

## Quali-Guard® Finish

- Aluminum fixture components are chemically pretreated through a multiple stage washer and finished with an electrostatically applied, thermoset polyester powder coat textured paint with a minimum of 3 to 5 mils thickness. Finish is oven baked at a temperature of 400 degrees Fahrenheit to promote maximum adherence and finish hardness. All finishes are available in standard and custom colors.

## Mounting

- **Pavillion II** mounts to a wide selection of decorative and custom mounting arms for both pole and wall mount applications. (See Decorative Arms section of catalog).

## Electrical Assembly

- All ballasts are premium CWA or auto transformer, available in Metal Halide, High Pressure Sodium, or Pulse Start Metal Halide. Ballast is capable of providing constant lamp starting down to -20 degrees Fahrenheit.

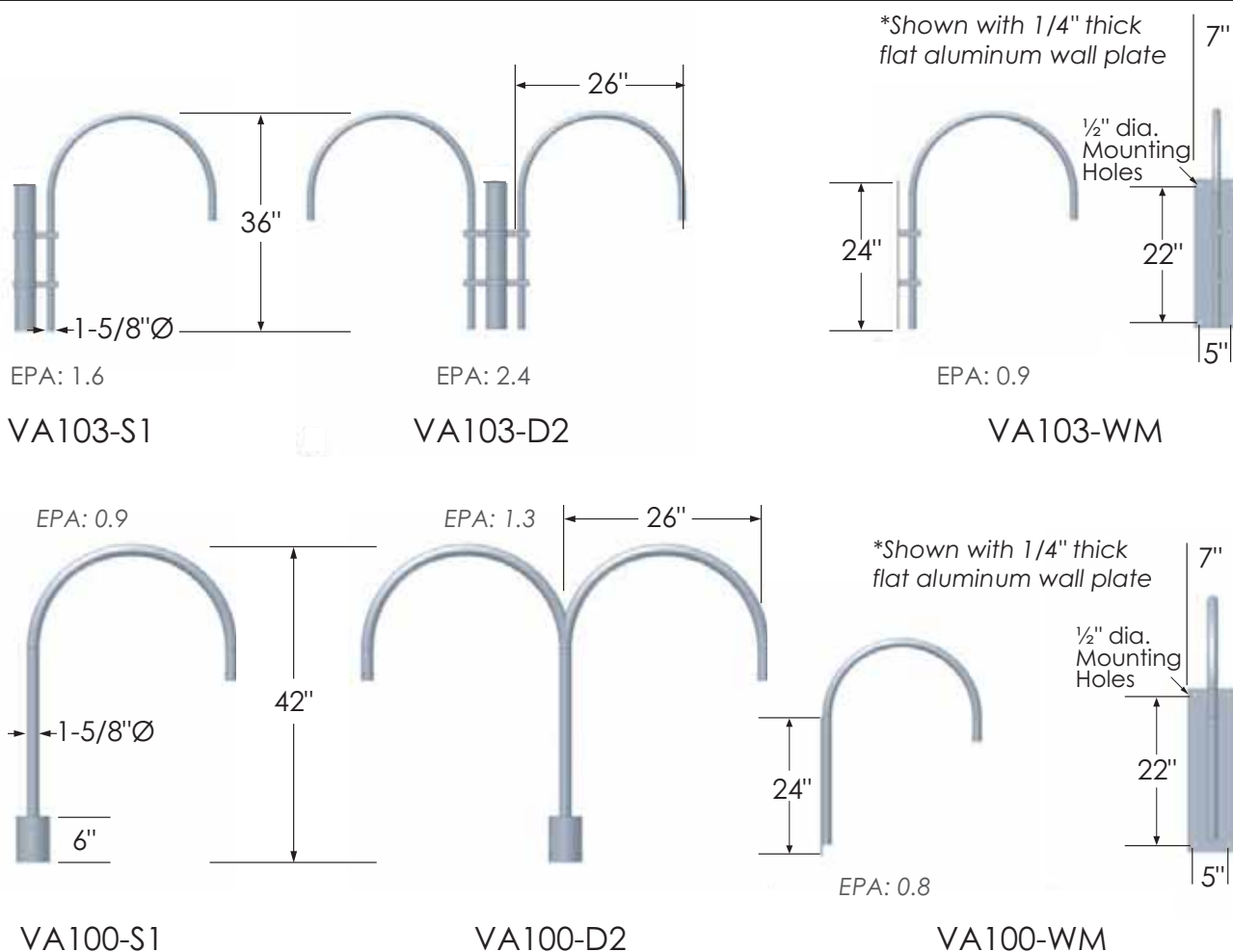
## Options

- Available with a variety of options including clear glass capsule lens, straight and curved-in shades, Dark Sky lens and optics, fusing, and rings.
- Available decorative illuminative rings are 3/8" thick, clear acrylic or cast aluminum.

## Listings

- **Pavillion II** is  Listed, suitable for wet locations.

## Typical Decorative Arms



## EPA

Fixture	Fixture Only	Fixture with VA103-S1	Fixture with VA103-D2
<b>PAV-1</b>	2.8	4.4	5.2