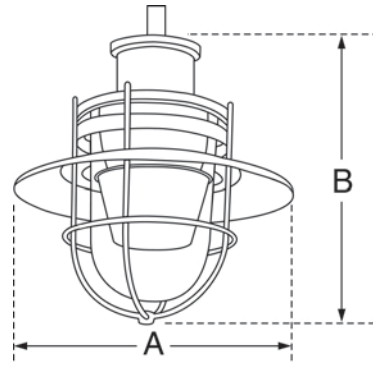


Main Street



Dimensional Drawings



*approx lbs based on heaviest configuration w/packaging

Fixture	A	B	Max. Watt	Lbs*
MST-1	23 1/4"	28"	175w	45

The Main Street is an architecturally designed luminaire, with a unique modern shape that coordinates well with a wide selection of brackets for pole or wall mounting.

The lens is a one piece, seamless, high impact resistant, U.V. stabilized, clear acrylic enclosure, available with a specular, spun aluminum stacked louver reflector assembly or borosilicate glass refractor with the option of a symmetrical Type 5 or asymmetrical Type 3 distribution pattern.

A durable polyester powder coat finish is available in an array of architectural colors to enhance the application. A wide selection of light sources is available from 50 to 175 watts in Metal Halide, High Pressure Sodium, or Pulse Start Metal Halide.

The Main Street is the perfect fixture for applications including roadways, bike trails, boardwalks, pedestrian areas, lifestyle centers, and other areas where a unique contemporary look adds to the design of the project.

Model No.	Optics	Wattage	Source	Voltage	Mounting	Finish	Options
MST							
Model	Optics	Wattage	Source	Voltage	Mounting	Finish	Options
<input type="checkbox"/> MST-1	*Stack Louver Reflector <input type="checkbox"/> Type V (SLR) *Glass Refractor <input type="checkbox"/> Type III (GR5) <input type="checkbox"/> Type V (GR5)	<input type="checkbox"/> 50 (50) <input type="checkbox"/> 70 (70) <input type="checkbox"/> 100 (100) <input type="checkbox"/> 150 (150) <input type="checkbox"/> 175 (175)	PS, HPS PS, HPS PS, HPS PS, HPS MH, PS (M), (P), (S) <input type="checkbox"/> <input type="checkbox"/> <input type="checkbox"/>	<input type="checkbox"/> 120 (1) <input type="checkbox"/> 208 (2) <input type="checkbox"/> 240 (3) <input type="checkbox"/> 277 (4) <input type="checkbox"/> 480 (5) <input type="checkbox"/> M.Tap (6)	<input type="checkbox"/> Arm Mount (AM)	<input type="checkbox"/> Bronze (BZ) <input type="checkbox"/> Black (BK) <input type="checkbox"/> White (WH) <input type="checkbox"/> Green (GN) <input type="checkbox"/> Grey (GY) <input type="checkbox"/> Silver Metallic (SL) <input type="checkbox"/> Custom (CC)	<u>Photo Cell</u> *Specify voltage <input type="checkbox"/> (PC120) <input type="checkbox"/> (PC208) <input type="checkbox"/> (PC240) <input type="checkbox"/> (PC277) <input type="checkbox"/> Lightly Diffused Lens (LDL) <input type="checkbox"/> Internal Light Shield (ILS) <u>Fusing</u> *Single In-Line Fuse *Specify voltage <input type="checkbox"/> (SF120) <input type="checkbox"/> (SF277) *Double In-Line Fuse *Specify voltage <input type="checkbox"/> (DF208) <input type="checkbox"/> (DF240) <input type="checkbox"/> (DF480)
			MH - Metal Halide PS - Pulse Start Metal Halide HPS - High Pressure Sodium	*All multitap ballasts are wired at 277 volts unless specified. 347v available; consult factory.	*See Mounting Section for wall mount options		

For more detailed information on mounting, wiring, or installation instructions, please consult factory. Note that if Poles are not ordered with fixtures, please specify the mounting requirements. This document contains proprietary information of Visionaire Lighting, LLC. Any use of this information requires the written approval of Visionaire Lighting, LLC. In keeping with our TQM policy of continuous improvement, Visionaire reserves the right to change any specifications contained herein without prior notice.



19645 Rancho Way • Rancho Dominguez, CA • 90220
 Tel: 310.512.6480 • Fax: 310.512.6486
 www.visionairelighting.com

Main Street

Housing

- The housing is comprised of a durable, corrosion resistant, cast aluminum cage and bottom ballast housing, with .080 gauge, spun aluminum reflector.
- All external hardware is stainless steel.

Lens and Door Assembly

- The lens is a one piece, seamless, high impact resistant, U.V. stabilized, clear acrylic enclosure. Fully gasketed with a form fitting one piece premium extruded silicone gasket to provide complete weather and insect protection.

Optical System

- The optics are derived from the combination of an internal glass refractor and external reflector shade or from a specular, precision spun, aluminum stack louver reflector assembly. The lens also contributes to the light distribution.

Quali-Guard® Finish

- Aluminum fixture components are chemically pretreated through a multiple stage washer and finished with an electrostatically applied, thermoset polyester powder coat textured paint with a minimum of 3 to 5 mils thickness. Finish is oven baked at a temperature of 400 degrees Fahrenheit to promote maximum adherence and finish hardness. All finishes are available in standard and custom colors.

Mounting

- **Main Street** suspends from a selection of decorative and custom mounting arms for both pole and wall mount applications. (See Decorative Arms section of catalog).

Electrical Assembly

- Ballast is factory wired and tapped to voltage specifications. All ballasts are CWA or HPF regulating auto transformer, available in Metal Halide, High Pressure Sodium, and high efficiency Pulse Start Metal Halide.

Options

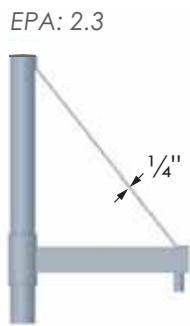
- Fixtures available with a variety of options, internal light shield, including photo cell, photo receptacle with shorting cap, and fusing.

Listings

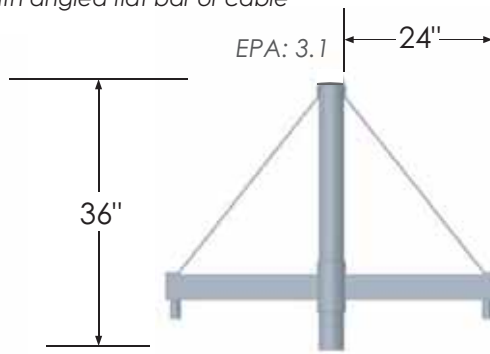
- **Main Street** is  Listed, suitable for wet locations.

Typical Decorative Arms

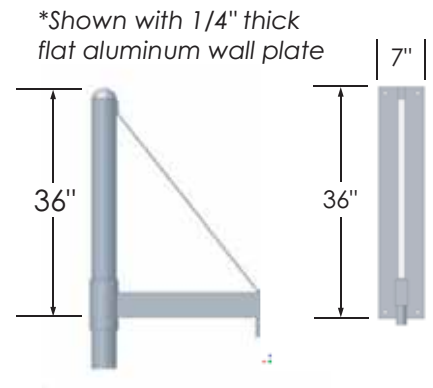
*This arm is available with angled flat bar or cable



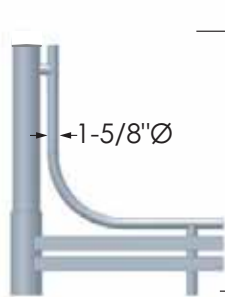
VA107-S1



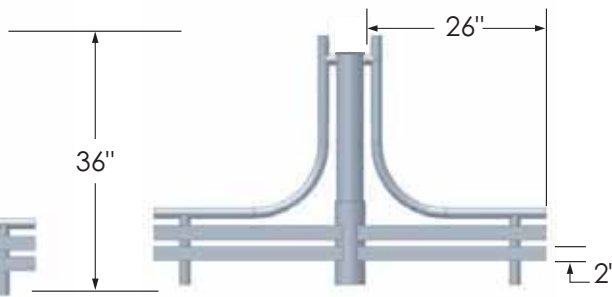
VA107-D2



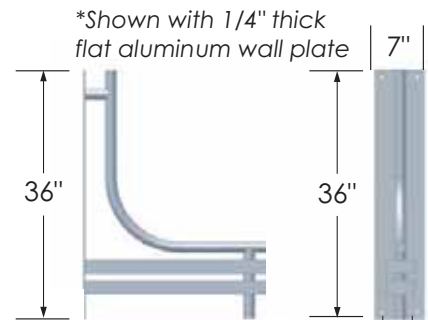
VA107-WM



VA105-S1



VA105-D2



VA105-WM

EPA

Fixture	Fixture Only	Fixture with VA107-S1	Fixture with VA107-D2
MST-1	4.2	6.5	7.3