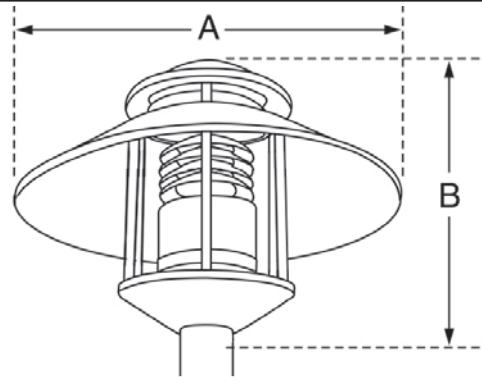


Entina



Dimensional Drawings



*approx lbs based on heaviest configuration w/packaging

Fixture	A	B	Max. Watt	Lbs*
ETA-1	24"	21"	175w	35

ARCHITECTURAL

The **Entina** is an architectural luminaire for post top, arm mount, or wall mount applications. A beautiful addition to any architectural project, the **Entina** adds a unique style and flair to accent a variety of designs.

The standard lens is high impact resistant, U.V. stabilized, clear acrylic tubing. The optical system is either a specular, spun aluminum, stacked louver reflector assembly with symmetrical distribution or a borosilicate glass refractor in symmetrical Type 5 or asymmetrical Type 3 distribution pattern.

A durable polyester powder coat finish is available in an array of architectural colors to enhance any design application. A wide selection of light sources is available from Compact Fluorescent, Metal Halide, High Pressure Sodium, or Pulse Start Metal Halide.

The Entina is ideal for high profile architectural projects such as government centers, city squares, convention centers, and any application where stylish luminaires highlight the surrounding architecture.

Model No.	Optics	Wattage	Source	Voltage	Mounting	Finish	Options
ETA							
Model	Optics	Wattage	Source	Voltage	Mounting	Finish	Options
<input type="checkbox"/> ETA-1	<input type="checkbox"/> *Stack Louver Reflector <input type="checkbox"/> Type V (SLR) <input type="checkbox"/> *Glass Refractor <input type="checkbox"/> Type III (GR3) <input type="checkbox"/> Type V (GR5)	<input type="checkbox"/> 26CF (26) <input type="checkbox"/> 32CF (32) <input type="checkbox"/> 42CF (42) <input type="checkbox"/> 70 (70) <input type="checkbox"/> 100 (100) <input type="checkbox"/> 150 (150) <input type="checkbox"/> 175 (175)	<input type="checkbox"/> Compact Fluorescent (CF) PS, HPS PS, HPS PS, HPS MH (M), (P), (S) <input type="checkbox"/> <input type="checkbox"/> <input type="checkbox"/> MH - Metal Halide PS - Pulse Start Metal Halide HPS - High Pressure Sodium	<input type="checkbox"/> 120 (1) <input type="checkbox"/> 208 (2) <input type="checkbox"/> 240 (3) <input type="checkbox"/> 277 (4) <input type="checkbox"/> 480 (5) <input type="checkbox"/> M.Tap (6) *All multitap ballasts are wired at 277 volts unless specified. 347v available; consult factory.	<input type="checkbox"/> Post-Top (PT) *Mounts over 3 inch tenon *See Mounting Section for wall mount options	<input type="checkbox"/> Bronze (BZ) <input type="checkbox"/> Black (BK) <input type="checkbox"/> White (WH) <input type="checkbox"/> Green (GN) <input type="checkbox"/> Grey (GY) <input type="checkbox"/> Silver Metallic (SL) <input type="checkbox"/> Custom (CC)	<input type="checkbox"/> Opal Lens (OL) <input type="checkbox"/> Lightly Diffused Lens (LDL) <input type="checkbox"/> Internal Light Shield (ILS) Fusing *Single In-Line Fuse *Specify voltage <input type="checkbox"/> (SF120) <input type="checkbox"/> (SF277) *Double In-Line Fuse *Specify voltage <input type="checkbox"/> (DF208) <input type="checkbox"/> (DF240) <input type="checkbox"/> (DF480)

For more detailed information on mounting, wiring, or installation instructions, please consult factory. Note that if Poles are not ordered with fixtures, please specify the mounting requirements. This document contains proprietary information of Visionaire Lighting, LLC. Any use of this information requires the written approval of Visionaire Lighting, LLC. In keeping with our TQM policy of continuous improvement, Visionaire reserves the right to change any specifications contained herein without prior notice.



19645 Rancho Way • Rancho Dominguez, CA • 90220
 Tel: 310.512.6480 • Fax: 310.512.6486
 www.visionairelighting.com

Entina

Housing

- The housing is constructed from durable, corrosion resistant, cast aluminum, with a heavy gauge spun aluminum reflector shade, and four vertical support rods surrounding the lens.
- All external hardware is stainless steel.

Lens and Door Assembly

- The standard lens is a high impact resistant, U.V. stabilized, clear acrylic tubing. Also available in lightly diffused and opal acrylic.

Optical System

- The optical system is comprised of a specular, precision spun, aluminum stack louver reflector assembly, or borosilicate glass refractor.

Quali-Guard® Finish

- Aluminum fixture components are chemically pretreated through a multiple stage washer and finished with an electrostatically applied, thermoset polyester powder coat textured paint with a minimum of 3 to 5 mils. thickness. Finish is oven baked at a temperature of 400 degrees Fahrenheit to promote maximum adherence and finish hardness. All finishes are available in standard and custom colors.

Mounting

- **Entina** mounts over a 3 inch tenon with a wide selection of decorative and custom mounting arms for both pole and wall mount applications. (See Decorative Arms section of catalog).


Electrical Assembly

- All ballasts are premium CWA or auto transformer, available in Metal Halide, High Pressure Sodium, and Pulse Start Metal Halide. Ballasts are capable of providing consistent lamp starting down to -20 degrees Fahrenheit.

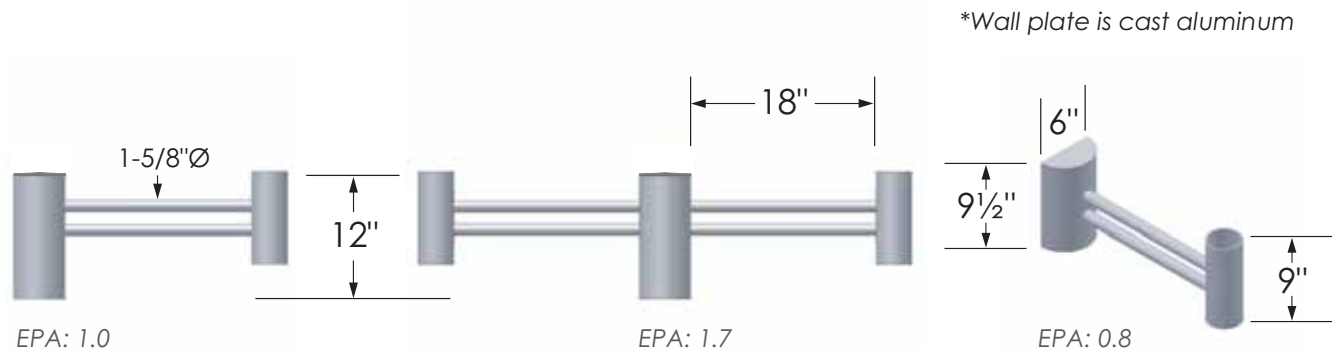
Options

- Fixtures available with a variety of options, including photo cell, photo receptacle with shorting cap, and fusing.

Listings

- **Entina** is  Listed, suitable for wet locations.

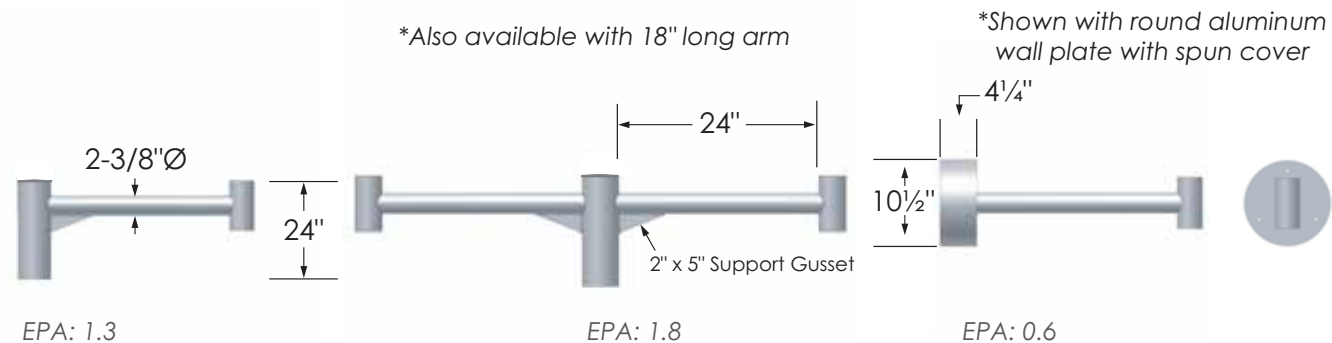
Typical Decorative Arms



VA112-S1

VA112-D2

VA112-WM



VA109-S1

VA109-D2

VA109-WM

EPA

Fixture	Fixture Only	Fixture with VA112-S1	Fixture with VA112-D2
ETA-1	3.5	4.5	5.2