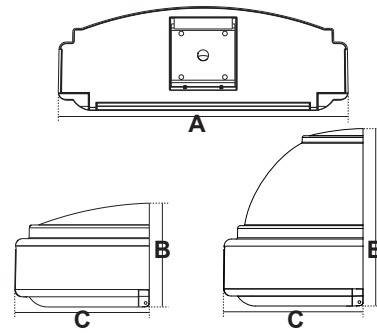


Project Name	Type
Catalog Number	

# Aria - Wall Sconce LED



## Dimensional Drawings



Fixture	A	B	C	Max. LEDs	Lbs
ARS-1	20"	7¼"	10"	42	17
ARS-2	20"	12½"	10"	42	21



The **Aria - Wall Sconce** offers a blend of contemporary architectural shapes, superior mechanical features combined with high performance and low maintenance LED sources.

The **ARS-1** is a low-profile luminaire designed to integrate easily into any architectural environment. The **ARS-2** offers stylish architectural detail adding an impacting design element to any type of contemporary building. Both styles are full-cutoff, Dark-Sky approved luminaires.

**Lens:** Each LED is covered with an injection-molded acrylic lens that provides unique Type II, Type III and Type IV distribution patterns.

**Housing:** Die cast aluminum, permanently sealed and spun aluminum tops feature a die cast, tool-less entry door frame with one-piece, extruded silicone gasket. A quick-mount bracket is supplied for ease of installation.

**Finish:** Durable Quali-Guard® textured thermoset polyester powder coat, oven-baked at a temperature of 400 °F to promote maximum adherence and finish hardness. Finish is guaranteed for five (5) years.

**Optics:** Visionaire Lighting offers **Evo/C LEDr** VisionBars™ in Type II, III and IV distribution patterns. CRI values are 70 for 4,000K and 75 for 5,500K.

**LEDs:** The highest lumen output, **Evo/C LEDr** are utilized in the **ARS** series. The optical system qualifies as IES full cutoff, and is Dark-Sky certified to restrict light trespass, glare and light pollution. CRI values are 70 for 4000K and 75 for 5500K.

**Driver:** The **ARS** is supplied with a choice of 350 or 530 mA high-performance LED drivers that accept 120v thru 480v, 50 Hz to 60 Hz, input. Power factor of 90%. Rated for -40 oC operations. 2 kV surge protector supplied as standard.

Model	Optics	Source	Milliamps	Kelvin	Voltage	Mounting	Finish	Options
ARS-1	Type II (T2) 	# of LEDs 21 (21LC)	mA 350 (3)	4000K *Neutral white (4K)	120-277 *Universal voltage (UNV)	Wall Mount *Down light only (WM)	Bronze (BZ)  Black (BK)  White (WH)  Grey (GY)  Silver Metallic (SL)  Custom Color (CC)	Button Type Photocell *Specify voltage (PC120) (PC208) (PC240) (PC277)  Fusing *Specify voltage Single in-line fuse (SF120) (SF277) Double in-line fuse (DF208) (DF240)  Vandal-Resistant Hardware *Tamper-proof latch screw (VRH)  Aria Conduit Box (ACB)
		42 (42LC)	530 (5)	5500K *Cool white (55K)				
	Type III (T3) 							
ARS-2	Type IV (T4) 							

Pair with:



Aria Area fixture.

LED - Light Emitting Diode

### LED Data Chart for 5500K\*

# LEDs	Output mA	Type 2	Type 3	Type 4	System Watts	L70 Hours
21	350	1,633	1,607	1,879	23	150,000
	530	2,397	2,346	2,448	34	100,000
42	350	3,266	3,215	3,758	46	150,000
	530	4,794	4,692	4,896	68	100,000

Visit [www.VisionaireLighting.com](http://www.VisionaireLighting.com) for up-to-the-minute chart information, including types not listed here.

\* For 4000K multiply values by 0.97

For more detailed information on mounting, wiring or installation instructions, please consult factory. If poles are not ordered with fixtures, please specify mounting requirements. This document contains proprietary information of Visionaire Lighting, LLC. Any use of this information requires the written approval of Visionaire Lighting, LLC. In keeping with our TQM policy of continuous improvement, Visionaire reserves the right to change any specifications contained herein without prior notice.



19645 Rancho Way • Rancho Dominguez, CA • 90220  
Tel: (310) 512-6480 • Fax: (310) 512-6486  
[www.visionairelighting.com](http://www.visionairelighting.com)