

# Aria - Wall Sconce HID/CF

Project Name	Type
Catalog Number	



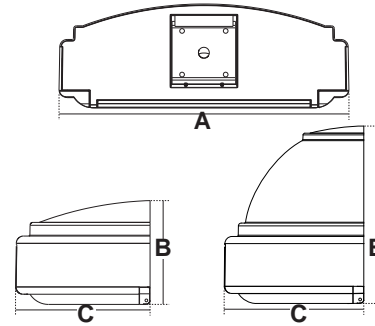
ARS-1



ARS-2



## Dimensional Drawings



Fixture	A	B	C	Max. Watts	Lbs
ARS-1	20"	7¼"	10"	150 W	17
ARS-2	20"	12½"	10"	150 W	21

The **Aria - Wall Sconce** offers a blend of architectural shapes, contemporary optical systems and lamp sources, and superior mechanical features.

The **ARS-1** is a low-profile luminaire designed to integrate easily into any architectural environment. The **ARS-2** offers stylish architectural detail adding an impacting design element to any type of contemporary building. Both styles are full-cutoff, Dark-Sky approved luminaires. The **ARS-2** meets NEC egress/emergency specifications when the CF/EBP options are selected.

**Lens:** The lens is clear, tempered, flat glass; secured with stainless steel hardware and fully sealed with a form-fitting, silicone gasket.

**Housing:** Die cast aluminum, permanently sealed and spun aluminum tops feature a die cast, tool-less entry door frame with one-piece, extruded silicone gasket. A quick-mount bracket is supplied for ease of installation.

**Finish:** Durable Quali-Guard® textured thermoset polyester powder coat, oven-baked at a temperature of 400 °F to promote maximum adherence and finish hardness. Finish is guaranteed for two (2) years.

**Optics:** Reflectors are highly-polished 95% reflectance anodized aluminum and are offered in three distribution types.

**Lamp:** A selection of Compact Fluorescent (32-84 watts) and HID light sources (50-150 watts) are offered; including Pulse Start Metal Halide for superior efficiency, lumen maintenance and color rendition.

**Ballast:** **HID** – Premium HPF regulating autotransformer, available in High Pressure Sodium or EISA-compliant Pulse Start Metal Halide. **CF** – A high-performance, electronic transformer operates at 120 thru 277 volts, 50 to 60 Hz, with a 90% power factor, and is rated for -20 °C operation.

Model	Optics	Wattage	Source	Voltage	Mounting	Finish	Options
ARS-1 *Flat top	Type II (T2) 	HID 50 (50)	PS HPS (P) (S)	120 (1)	Wall Mount *Down light only (WM)	Bronze (BZ)	Button Type Photocell *Specify voltage (PC120) (PC208) (PC240) (PC277)
		70 (70)		208 (2)			
	Type III (T3) 	100 (100)		240 (3)			
ARS-2 *Dome top	Type III (T3) 	150 (150)	CF (CF)	277 (4)	M-Tap *Multi-Tap ballast wired at 277 V unless specified (6)	White (WH)	Quartz Restrike (QR)
		480 (5)		Silver Metallic (SL)			
	Compact Fluorescent *120-277 V universal voltage 32 (32TT)	Custom Color (CC)					
42 (42TT)	Cold Weather Battery Pack *CF only. Gives 90+ minutes of illumination during power outages. Rated to -20 °C. Integral on ARS-2; remote on ARS-1 (CLDPK)						
42x2 *ARS-2 only (42TTx2)		Vandal-Resistant Hardware *Tamper-proof latch screw (VRH)					
120-277 *Universal voltage (UNV)							
Pair with: 	Aria Area fixture.	PS - Pulse Start Metal Halide HPS - High Pressure Sodium CF - Compact Fluorescent					

For more detailed information on mounting, wiring or installation instructions, please consult factory. If poles are not ordered with fixtures, please specify mounting requirements. This document contains proprietary information of Visionaire Lighting, LLC. Any use of this information requires the written approval of Visionaire Lighting, LLC. In keeping with our TQM policy of continuous improvement, Visionaire reserves the right to change any specifications contained herein without prior notice.



19645 Rancho Way • Rancho Dominguez, CA • 90220  
Tel: (310) 512-6480 • Fax: (310) 512-6486  
www.visionairelighting.com