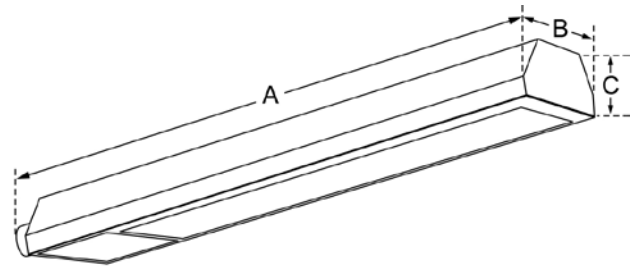


LPS - Roadway HID

Project Name	Type
Catalog Number	



Dimensional Drawings




Fixture	A	B	C	Max. Watts	Lbs
RDW-1	34"	9½"	5½"	55 W	55
RDW-2	39"	9½"	5½"	90 W	60
RDW-3	63"	9½"	5½"	180 W	75

The **LPS - Roadway** series is designed to maximize the benefits of highly-efficient Low Pressure Sodium lamps with unmatched lumens per watt. Eliminates glare with IES full cutoff optics and provides an easy-maintenance roadway luminaire that meets the most stringent municipal requirements.

LPS - Roadway is available in three sizes, and in wattages from 55 through 180. Mounting and maintenance are both user-friendly. A cast aluminum arm adaptor attaches the luminaire to the mast arm. Tool-less latches open the fixture housing for easy access to the lamp and the ballast which can be mounted on a removable ballast tray.

A durable thermoset polyester powder coat textured grey finish is supplied as standard and guaranteed for two (2) years.

Low Pressure Sodium lighting is the community standard for a number of areas where observatories are located. The International Dark Sky community also favors the use of this light source for all types of outdoor lighting. Street lighting, roadways, bridges, and general area lighting can all utilize the **LPS - Roadway** fixture to minimize light pollution.

Model	Optics	Wattage	Source	Voltage	Mounting	Finish	Options
RDW-1	Type IIIR (T3R) 	55 (55)	LPS (L)	120 (1)	Mast Arm Fitter *Slips over 2½" O.D. (MAF)	Grey (GY) Custom Color (CC)	Photocell & Receptacle <small>*Specify voltage</small> (PCR120) (PCR208) (PCR240) (PCR277) (PCR480) Photocell Receptacle <small>*With shorting cap, uninstalled</small> (PER) Terminal Block (TB) House Side Light Shield (LS) Removable Ballast Tray <small>*Comes standard with Quick Disconnects and Terminal Block.</small> (RBT)
				208 (2)			
				240 (3)			
				277 (4)			
RDW-2		90 (90)		480 (5)			
				347 (8)			
RDW-3		135 (135) 180 (180)					

LPS -
Low Pressure Sodium

For more detailed information on mounting, wiring or installation instructions, please consult factory. If poles are not ordered with fixtures, please specify mounting requirements. This document contains proprietary information of Visionaire Lighting, LLC. Any use of this information requires the written approval of Visionaire Lighting, LLC. In keeping with our TQM policy of continuous improvement, Visionaire reserves the right to change any specifications contained herein without prior notice.



19645 Rancho Way • Rancho Dominguez, CA • 90220
Tel: (310) 512-6480 • Fax: (310) 512-6486
www.visionairelighting.com

Housing

- **LPS - Roadway** is precision CNC sheared and formed aluminum. Door assembly offers integral latches for tool-less access. Three housing sizes for different wattages.
- All hardware is rust resistant stainless steel.

Lens and Door Assembly

- Hinged door frame is fully gasketed. A one-piece extruded silicone gasket seals the door frame against the housing.
- The lens is clear, impact-resistant Lexan, secured with galvanized lens retainers, and sealed with form fitting silicone gasketing.

Optical System

- Reflector is precision CNC cut and bent, multifaceted, segmented, 95% reflective aluminum for IES Type IIIIR light distribution designed to maximize light spread.

Quali-Guard® Finish

- The finish is a Quali-Guard® textured, chemically pretreated through a multiple stage washer, electrostatically applied, thermoset polyester powder coat finish, with a minimum of 3-5 millimeter thickness. Finish is oven-baked at 400 °F to promote maximum adherence and finish hardness. All finishes are available in standard and custom colors.
- Finish is guaranteed for two (2) years.

Mounting

- Fixture fits over a 2 3/8" fitter, and comes standard with ring gasket inside the mast arm fitter and utilizes six stainless steel 3/8" hex head set bolts to secure the fixture to the mast arm.

Electrical Assembly


- All ballasts are premium-grade HPF high reactance auto transformer, factory wired and tapped to voltage requirement.
- LPS lamps from 55 through 180 watts, providing high lumens per watt, superior energy efficiency, and quick restrike.
- Removable ballast tray option comes standard with quick disconnects and terminal block.

Options

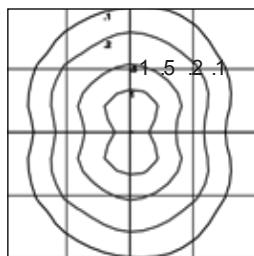
- Photocell & Receptacle
- Photocell Receptacle
- Terminal block.
- House side light shield.
- Removable ballast tray.

Please consult factory for custom options.

Listings

- **LPS - Roadway** is  listed, suitable for wet locations.
- Dark-Sky Friendly® certified by the International Dark-Sky Association.

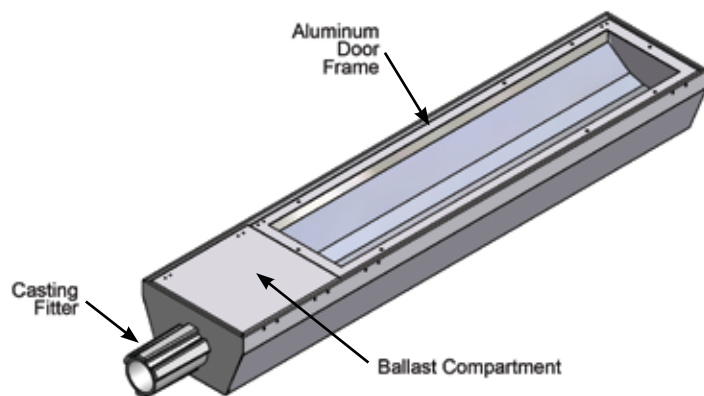
Isolux Curve



LPS-ROADWAY
TYPE IIIIR
LPS OPTICS
90 WATTS

Scale: 1 Square = 33 ft
Light Loss Factor = 1.00
Mounting Height = 33 ft
Arrangement: Single

Mounting Detail



EPA Data

Fixture with Arm	
RDW-1	1.3
RDW-2	1.5
RDW-3	2.4