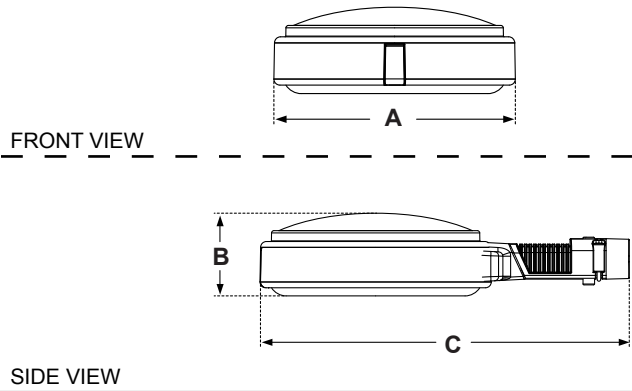


Aria - Roadway LED

Project Name	Type
Catalog Number	



Dimensional Drawings



Fixture	A	B	C	Max. LEDs	Lbs
ARR-1-L	20"	7 ¹ / ₄ "	31 ⁷ / ₈ "	96	35

The **Aria** Roadway Series combines the latest in LED technology with contemporary Roadway fixture design. A modern, low profile, architecturally-styled luminaire that can replace typical cobra head styled fixtures while using less energy and providing more usable light that is visually more comfortable and is Dark-Sky compatible. Eliminates the need for costly yearly maintenance of existing lighting by switching to energy-efficient LED lighting.

Lens: Each LED is covered with an injection-molded acrylic lens that provides a unique Type IIIIR distribution pattern specifically designed for roadway applications.

Housing: A die cast aluminum housing with a permanently-sealed, spun aluminum top and a diecast, tool-less entry door frame with a one-piece, extruded silicone gasket is provided with a cast aluminum


most arm adaptor containing a secure U-Bolt mounting device that accepts mast arms from 1¹/₄ to 2³/₈" in diameter; with leveling adjustment of +/- 5 degrees.

Finish: Durable Quali-Guard textured thermoset polyester powder coat, oven-baked at a temperature of 400 °F to promote maximum adherence and finish hardness. Finish is guaranteed for five (5) years.

Optics: IES Type IIIIR distribution pattern is standard.

Lamp: High-lumen-output, energy-efficient VisionBar™ LEDs offers a minimum of 60,000 hours of maintenance-free operations.

Driver: A high-performance electronic LED driver operates at 120 thru 277 volts, 50 to 60 Hz, with a 90 % power factor, and is rated for -40 °C operation.

Model	Optics	Source	Milliamps	Kelvin	Voltage	Mounting	Finish	Options
ARR-1-L	Type IIIIR (T3R) 	# of LEDs	mA	4000K (4K)	120-277 *Universal voltage (UNV)	Mast Arm (MA)	Grey (GY)	Photocell & Receptacle
		24 (24L)	350 (3)					*Specify voltage (PCR120) (PCR208) (PCR240) (PCR277)
		48 (48L)	530 (5)					Photocell Receptacle *w/ shorting cap (PER)
		72 (72L)	700 (7)					Dual Circuit (DC)
		96 (96L)					Terminal Block *Located in mounting arm (TB)	
							Cutoff Louver System (CLS)	
							High-Low System (HL)	

For more detailed information on mounting, wiring or installation instructions, please consult factory. If poles are not ordered with fixtures, please specify mounting requirements. This document contains proprietary information of Visionaire Lighting, LLC. Any use of this information requires the written approval of Visionaire Lighting, LLC. In keeping with our TQM policy of continuous improvement, Visionaire reserves the right to change any specifications contained herein without prior notice.



19645 Rancho Way • Rancho Dominguez, CA • 90220
Tel: (310) 512-6480 • Fax: (310) 512-6486
www.visionairelighting.com

Housing

• A die cast aluminum housing with a permanently-sealed, spun aluminum top and a die cast, tool-less entry door frame, with a one-piece, extruded silicone gasket is provided with a cast aluminum mast arm adaptor containing a secure U-Bolt mounting device that accepts mast arms from 1¼" to 2⅝" in diameter; with a leveling adjustment of + or - 5 degrees.

Thermal Management

• The **Aria - Roadway** provides excellent overall thermal management by maximizing the efficiency of the heat sink in the fixture (see Heat Sink Detail). This enables the **Aria - Roadway** to withstand higher ambient temperatures and higher drive currents without degrading LED life.

• The L70 test determines the point in an LEDs' life when it reaches 70 percent of its initial output. **Aria - Roadway** series LEDs have been determined to last a minimum of 60,000 hours in 40 °C environments when driven at 350 mA. See LED Data Chart for actual test results.

Optical System

• The highest lumen output LEDs available are utilized in the **Aria - Roadway**. IES Type IIIIR distribution is standard. The optical system qualifies as IES full cutoff; and is Dark-Sky certified to restrict light trespass, glare and light pollution.

Quali-Guard® Finish

• A Quali-Guard® thermoset polyester powder coat painted finish is available in grey and custom colors. Finish is guaranteed for five (5) years.

Mounting

• The **Aria - Roadway** is provided with a cast aluminum arm adaptor designed to slip fit over a 1¼" to 2⅝" horizontal tenon (mast arm) and is adjustable +/- 5 degrees for fixture leveling. An internal clamping device provides a secure attachment to the mast arm, eliminating the need to drill for thru-bolt attachment.

Electrical Assembly

• The **Aria - Roadway** is supplied with a choice of 350, 530 or 700 mA high-performance LED drivers that accept 120 V thru 277 V, 50 Hz to 60 Hz, input. Power factor of 90%. Rated for -40 °C operations.

Warranty



• Five (5) year Limited Warranty on entire system, including finish. For full warranty information, please visit VisionaireLighting.com.

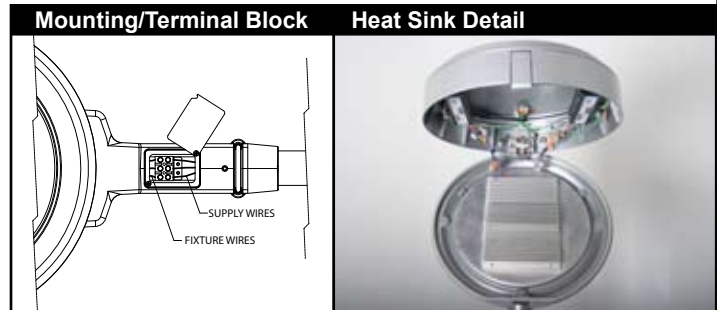
Options

- Photocell & receptacle
- Photocell receptacle
- Dual circuit
- Terminal block (located in mounting arm)
- Cutoff louver system
- High-low system

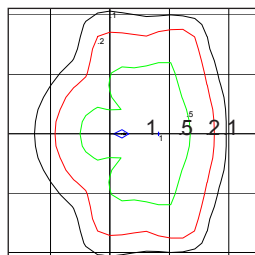
Please consult factory for custom options and available upgrades.

Listings

- **Aria - Roadway** is  listed, suitable for wet locations.
- Dark-Sky Friendly®, full cutoff certified by the International Dark-Sky Association.
- LM79 and LM80.
- Meets ANSI 2GC136.31-2001 Vibration Standards.
- Powder Coated Tough™ 
- RoHS compliant.



Isolux Curve



ARIA-ROADWAY-1
TYPE IIIIR
LED OPTICS
48 LEDs @ 530 mA

Scale: 1 Square = 30 ft
Initial Light Loss Factor = 1.00
Total Lumens Per Luminaire = -1
Mounting Height = 30 ft
Arm Length = 6 ft
Arrangement: Single

LED Data Chart

# LEDs	Output mA	Nominal Watts	System Watts 120-277
24	350	25	28
	530	35	39
	700	50	55
48	350	50	56
	530	70	78
	700	100	110
72	350	75	84
	530	105	117
	700	150	165
96	350	100	112
	530	140	156
	700	200	220

EPA Data

Fixture with Mast Arm Fitter	
ARR-1-L	.9



19645 Rancho Way • Rancho Dominguez, CA • 90220
Tel: (310) 512-6480 • Fax: (310) 512-6486
www.visionairelighting.com