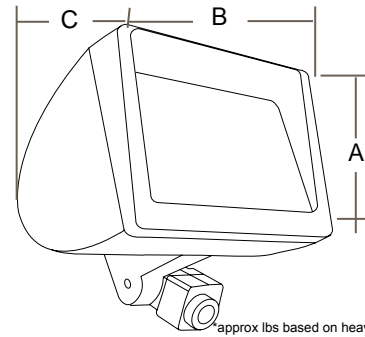


Project Name	Type
Catalog Number	

# Smart Flood - Round Back

AREA

## Dimensional Drawings



approx lbs based on heaviest configuration w/packaging



**SFRB-1**

**SFRB-2**

<b>SFRB-1</b>	8"	11"	9"	150w	20
<b>SFRB-2</b>	16"	16"	8½"	400w	40

The **SmartFlood** family of luminaires are designed and constructed for superior durability, high performance, economical operation and aesthetic appearance. The rugged housings and choice of adjustable knuckle or trunnion bracket offer versatility for a wide range of lighting applications.

Models are available for floodlighting, accent, security, building façade, landscape, and general area lighting.

**SmartFlood's** proven performance, excellent light control and wide selection of light sources from 70 through 400 watts make it the "smart" choice for a variety of lighting tasks.

Model	Optics	Wattage	Source	Voltage	Mounting	Finish	Options	
<b>SFRB-1</b> <small>(½" Threaded Knuckle only)</small>	Wide Flood <b>(WF)</b>	70 (70)	PS, HPS	120	Knuckle Mount <b>(KM)</b> <small>*SFRB-1 uses ½" Threaded Knuckle; SFRB-2 uses 2¾" Knuckle</small>	Bronze <b>(BZ)</b>	<u>Buttontype Photocell</u> <small>*Specify voltage</small> <b>(PC120)</b> <b>(PC208)</b> <b>(PC240)</b> <b>(PC277)</b>	
		100 (100)	PS, HPS	208		Black <b>(BK)</b>		Quartz Restrike <b>(QR)</b>
		150 (150)	PS, HPS <b>(P) (S)</b>	240 <b>(3)</b>		White <b>(WH)</b>	Fusing <small>*Specify voltage</small> Single in-line fuse <b>(SF120)</b> <b>(SF277)</b> Double in-line fuse <b>(DF208)</b> <b>(DF240)</b> <b>(DF480)</b>	
				277 <b>(4)</b>		Forest Green <b>(GN)</b>		
				480 <b>(5)</b>		Grey <b>(GY)</b>		
<b>SFRB-2</b> <small>(2¾" Knuckle or Trunnion Mount only)</small>		175 (175)	PS	M-Tap <b>(6)</b>	Trunnion Mount <b>(TM)</b> <small>*Available in SFRB-2 only</small>	Silver Metallic <b>(SL)</b>		
		250 (250)	PS, HPS	*Multi-Tap ballast wired at 277v unless specified		Custom Color <b>(CC)</b>		
		320 (320)	PS					
		400 (400)	PS, HPS <b>(P) (S)</b>			347 <b>(8)</b>		
			PS - Pulse Start Metal Halide HPS - High Pressure Sodium					

For more detailed information on mounting, wiring, or installation instructions, please consult factory. Note that if Poles are not ordered with fixtures, please specify the mounting requirements. This document contains proprietary information of Visionaire Lighting, LLC. Any use of this information requires the written approval of Visionaire Lighting, LLC. In keeping with our TQM policy of continuous improvement, Visionaire reserves the right to change any specifications contained herein without prior notice.

# Smart Flood - Round Back

## Housings

- **SFRB-1** utilizes a rugged, one piece die-cast, soft corner aluminum housing with stylish accents.
- **SFRB-2** is precision formed from corrosion resistant aluminum, utilizing state of the art computer numerical control (CNC) machinery, designed to ensure accuracy and consistency in all fixture housings, as well as a weathertight seal.
- All hardware is rust resistant stainless steel.

## Lens and Door Assembly

- **SFRB-1** utilizes a die-cast external hinged door frame. A silicone gasket seals the door frame against the housing.
- **SFRB-2** utilizes a formed external hinged door frame. A silicone gasket seals the door frame against the housing.
- The lens is a clear tempered flat glass, completely enclosed and gasketed for a weathertight seal.

## Optical System

- Both SFRB reflectors are precision CNC cut and bent, highly efficient, reflective aluminum, and available in a wide flood distribution.

## Quali-Guard® Finish

- The finish is a Quali-Guard® textured, chemically pretreated through a multiple stage washer, electrostatically applied, thermoset polyester powder coat finish, with a minimum of 3-5 millimeter thickness. Finish is oven baked at 400 degrees Fahrenheit to promote maximum adherence and finish hardness. All finishes are available in standard and custom colors.
- Finish is guaranteed for two (2) years.

## Mounting & Aiming

- The SmartFlood-2 is available with either a die-cast aluminum, adjustable knuckle, designed to slip over 2 3/8 inch pipe, or an adjustable trunnion "U" bracket, with stainless steel hardware. SFRB-1 utilizes a 1/2 inch threaded knuckle only. Knuckles and trunnion brackets are pre-mounted to fixtures by Visionaire.

## Electrical Assembly


- All ballasts are premium grade CWA or HPF regulating auto transformers, available in Pulse Start and High Pressure Sodium. Ballast is capable of providing consistent lamp starting down to -20 degrees Fahrenheit.
- Socket is glazed porcelain medium or mogul base with nickel plated contacts, rated at 4KV and 600V.

## Options

- Button photocell
- Quartz restrike
- Fusing
- Light shield (SFRB-2 only)

Please consult factory for custom options.

## Listings

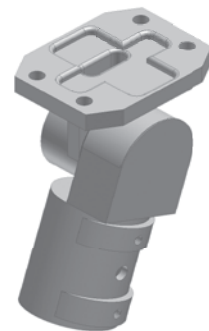
- Smart Flood is  listed, suitable for wet locations.

## Adjustable Trunnion



For horizontal surface or wall mounting (SFRB-2 only)

## Adjustable Knuckle



Slip fits over 2 3/8" O.D. (SFRB-2 only)

## EPA Data

Fixture with Arm	█→
SFRB-1	1.0
SFRB-2	2.3