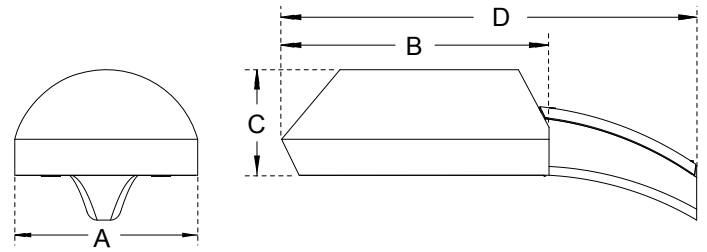


Polera LX INDUCTION

Project Name	Type
Catalog Number	



Dimensional Drawings



Fixture	A	B	C	D	Max. Watts	Lbs
PLX-1	19"	25 ³ / ₄ "	11"	41 ¹ / ₄ "	165W	53
PLX-2	23"	27 ³ / ₄ "	15"	43 ¹ / ₄ "	200 W	68

The new **Polera LX** continues the unique contemporary design inspired by the sleek styling of the **Polera** family. Lamp performance is maximized by putting the lamp and generator in two separate compartments. The flat lens, vertical lamp, IES full cutoff luminaire is Dark-Sky certified to restrict light trespass, glare and light pollution for neighborhood-friendly outdoor lighting.

The low-profile, compact, mounting arm houses the generator assembly and compliments the stylish housing while allowing plenty of room for the highly efficient optical system. A durable polyester powder coat finish in a wide selection of architectural colors enhances any application.

Polera LX is available in two sizes and two distribution patterns. The patented Vision™ Reflector System allows the use of fewer fixtures and poles with wider spacing, providing substantial equipment, installation and energy cost savings.

The **Polera LX** is an exceptional choice for shopping centers, parking lots, street lighting and general area lighting. Energy-efficient Induction lamps—with estimated lives of 100,000+ hours—are offered in wattages ranging from 55 to 200.

Model	Optics	Wattage	Source	Kelvin	Voltage	Mounting	Finish	Options
PLX-1-I	Type III (T3)	Globes 55G (55G)	IND (IND)	3000 (3K)	120 (1)	Arm Mount (AM)	Bronze (BZ)	<u>Photocell & Receptacle</u> <small>*Specify voltage</small> (PCR120) (PCR208) (PCR240) (PCR277)
PLX-2-I	Type V (T5)	85G (85G)		5000 (5K)	208 (2)	Wall Mount <small>*Cast Wall Plate (BAWP) to be ordered separately</small> (WM)	Black (BK)	Photo Receptacle (PER) <small>*With shorting cap</small>
		165G (165G)			240 (3)		White (WH)	<u>Button Type Photocell</u> <small>*Specify voltage</small> (PC120) (PC208) (PC240) (PC277)
		Tubes 70T (70T)			277 (4)		Forest Green (FG)	<u>Fusing</u> <small>*Specify voltage</small> Single in-line fuse (SF120) (SF277) Double in-line fuse (DF208) (DF240) (DF480)
		100T (100T)			480 <small>*Includes step-down transformer</small> (5)		Grey (GY)	House Side Light Shield (LS)
		150T (150T)			347 <small>*Includes step-down transformer</small> (8)		Silver Metallic (SL)	Internal Light Shield (ILS)
							Custom Color (CC)	<u>Round Pole Plate Adaptor</u> For 4"Ø Pole (RPP4) For 5"Ø Pole (RPP5) Cast Wall Plate (BAWP)
			IND - Induction			Round Pole Plate Adaptors (RPP) are to be ordered separately.		

For more detailed information on mounting, wiring or installation instructions, please consult factory. If poles are not ordered with fixtures, please specify mounting requirements. This document contains proprietary information of Visionaire Lighting, LLC. Any use of this information requires the written approval of Visionaire Lighting, LLC. In keeping with our TQM policy of continuous improvement, Visionaire reserves the right to change any specifications contained herein without prior notice.



19645 Rancho Way • Rancho Dominguez, CA • 90220
Tel: (310) 512-6480 • Fax: (310) 512-6486
www.visionairelighting.com

Ballast Housing/Mounting Arm

- Durable two-piece cast aluminum ballast housing opens for easy access to removable ballast tray allowing for cooler generator operation and easy installation. Assembled to fixture housing and sealed with one-piece silicone gasket.

Housing and Door Assembly

- Precision-formed, corrosion-resistant aluminum housing and one-piece removable door assembly with stainless steel fasteners.
- The lens is tempered, clear safety glass, and sealed with silicone gasketing to provide complete weather, dust and insect protection.

Vision™ Optical System

- The Vision™ Reflector System is precision CNC cut and bent, multifaceted, segmented, highly efficient, 95% reflective aluminum. Available in two distribution patterns.
- Tool-less reflector entry.

Quali-Guard® Finish

- The finish is a Quali-Guard® textured, chemically pretreated through a multiple-stage washer, electrostatically applied, thermoset polyester powder coat finish, with a minimum of 3-5 millimeter thickness. Finish is oven-baked at 400 °F to promote maximum adherence and finish hardness. All finishes are available in standard and custom colors.
- Finish is guaranteed for two (2) years.

Mounting

- Arm Mount: The fixture mounts directly to the pole by means of three stainless steel mounting bolts attaching to an in-pole nut plate to ensure level installation.
- A Round Pole Plate Adaptor (LXRPP-4/5) is required for mounting to 4" or 5" round poles.

Electrical Assembly



- The **Polera LX** is supplied with a high-efficiency, electronic generator that operates at 120 through 277 volts, 50 to 60 Hz, and is rated for -20 °C operation.

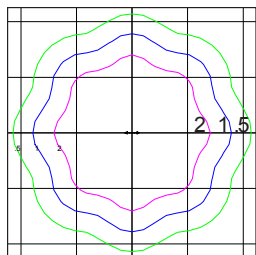
Options

- Photocell & receptacle
- Photo receptacle
- Button type photocell
- Fusing
- House side light shield
- Internal light shield
- Round pole plate adaptor
- Cast wall plate

Please consult factory for custom options.

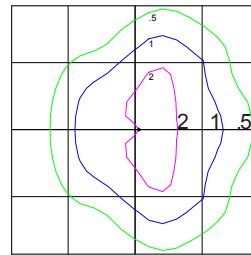
Listings

- **Polera LX** is  listed, suitable for wet locations.
- Dark-Sky Friendly®, full cutoff certified by the International Dark-Sky Association.
- Powder Coated Tough™ 
- Vision™ Reflector System (U.S. Patent No. 7,213,948).



POLERA LX-2 ISOLUX CURVE
TYPE V
INDUCTION OPTICS
165 WATTS

Scale: 1 Square = 23 ft
Initial Light Loss Factor = 1.00
Mounting Height = 23 ft
Arrangement: Twin (Back-to-back)



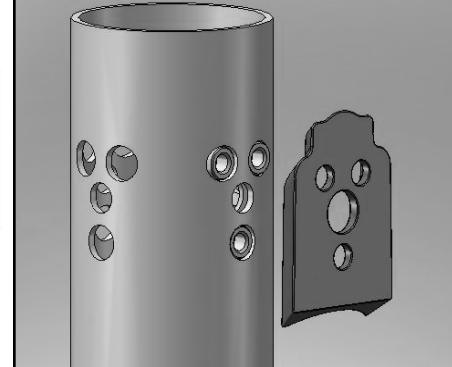
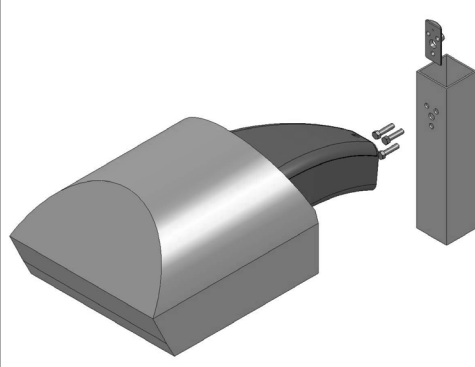
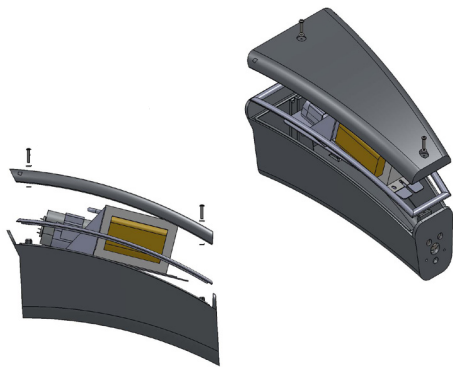
POLERA LX-1 ISOLUX CURVE
TYPE III
INDUCTION OPTICS
165 WATTS

Scale: 1 Square = 23 ft
Initial Light Loss Factor = 1.00
Mounting Height = 23 ft
Arrangement: Single







Ballast Housing/Mounting Arm

Bolt-On Arm Detail

Round Pole Plate Adaptor (RPP4/5)



EPA Data

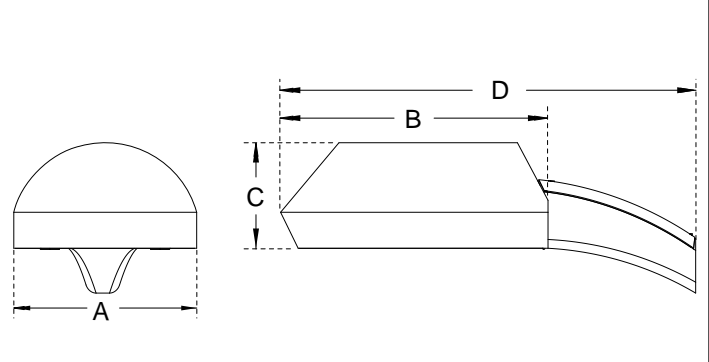
Fixture with Arm						
PLX-1-I	2.2	3.5	4.4	5.3	5.7	5.3
PLX-2-I	2.8	4.5	5.6	6.9	7.5	6.8

Polera LX HID

Project Name	Type
Catalog Number	



Dimensional Drawings



Fixture	A	B	C	D	Max. Watts	Lbs
PLX-1	19"	25 ³ / ₄ "	11"	41 ¹ / ₄ "	400W	53
PLX-2	23"	27 ³ / ₄ "	15"	43 ¹ / ₄ "	1000 W	68

The new **Polera LX** continues the unique contemporary design inspired by the sleek styling of the **Polera** family. Lamp performance is maximized by putting the lamp and ballast in two separate compartments. The flat lens, vertical lamp, IES full cutoff luminaire is Dark-Sky certified to restrict light trespass, glare and light pollution for neighborhood friendly outdoor lighting.

The low-profile, compact mounting arm houses the ballast assembly and compliments the stylish housing, allowing plenty of room for the highly-efficient optical system. A durable polyester powder coat finish in a wide selection of architectural colors enhances any application.

Polera LX is available in two sizes and five distribution patterns, including a special forward throw T4A reflector for auto dealership front line lighting. The patented Vision™ Reflector System allows the use of fewer fixtures and poles with wider spacing, providing substantial equipment, installation and energy cost savings.

A wide selection of light sources from 100 through 1000 watts are offered in High Pressure Sodium and Pulse Start Metal Halide to provide excellent efficiency and lumen maintenance. The **Polera LX** is an exceptional choice for auto dealerships, shopping centers, parking lots, street lighting and general area lighting.

Model	Optics	Wattage	Source	Voltage	Mounting	Finish	Options
PLX-1	Type II (T2) 	HID 100 (100)	PS, HPS	120 (1)	Arm Mount (AM)	Bronze (BZ)	<u>Photocell & Receptacle</u> <small>*Specify voltage</small> (PCR120) (PCR208) (PCR240) (PCR277) (PCR480) Photo Receptacle (PER) <small>*With shorting cap</small> <u>Button Type Photocell</u> <small>*Specify voltage</small> (PC120) (PC208) (PC240) (PC277) Quartz Restrike (QR) <u>Fusing</u> <small>*Specify voltage</small> Single in-line fuse (SF120) (SF277) Double in-line fuse (DF208) (DF240) (DF480) House Side Light Shield (LS) Internal Light Shield (ILS) <u>Round Pole Plate Adaptor</u> For 4"Ø Pole (RPP4) For 5"Ø Pole (RPP5) Cast Wall Plate (BAWP)
	Type III (T3) 	150 (150)	PS, HPS	208 (2)	Wall Mount <small>*Cast Wall Plate (BAWP) to be ordered separately</small> (WM)	Black (BK)	
	Type IV (T4) 	200 (200)	PS	240 (3)		White (WH)	
	Type IV-A (T4A) <small>*Not available for PLX-1</small> 	250 (250)	PS, HPS	277 (4)		Forest Green (FG)	
	Type IV-A (T4A) <small>*Reduced envelope lamp on 400 W</small> 	320 (320)	PS	480 (5)	M-Tap <small>*Multi-Tap ballast wired at 277 V unless specified</small> (6)	Grey (GY)	
PLX-2	Type V (T5) 	750 (750) 1000 (1000) <small>*Reduced envelope lamp on 1000 W</small>	PS MH, PS, HPS (M) (P) (S) <small>MH - Metal Halide PS - Pulse Start Metal Halide HPS - High Pressure Sodium</small>	347 (8)		Silver Metallic (SL) Custom Color (CC)	Round Pole Plate Adaptors (RPP) are to be ordered separately.

For more detailed information on mounting, wiring or installation instructions, please consult factory. If poles are not ordered with fixtures, please specify mounting requirements. This document contains proprietary information of Visionaire Lighting, LLC. Any use of this information requires the written approval of Visionaire Lighting, LLC. In keeping with our TQM policy of continuous improvement, Visionaire reserves the right to change any specifications contained herein without prior notice.



19645 Rancho Way • Rancho Dominguez, CA • 90220
 Tel: (310) 512-6480 • Fax: (310) 512-6486
 www.visionairelighting.com

Ballast Housing/Mounting Arm

- Durable two-piece cast aluminum ballast housing opens for easy access to removable ballast tray, allowing for cooler ballast operation and easy installation. Assembled to fixture housing and sealed with one-piece silicone gasket.

Housing and Door Assembly

- Precision formed, corrosion-resistant aluminum housing and one-piece removable door assembly with stainless steel fasteners.
- The lens is tempered, clear safety glass, and sealed with silicone gasketing to provide complete weather, dust and insect protection.

Vision™ Optical System

- Reflector is tooled, multifaceted, segmented, highly efficient, 95% reflective aluminum. Available in five distribution patterns.
- Tool-less reflector entry.

Quali-Guard® Finish

- The finish is a Quali-Guard® textured, chemically pretreated through a multiple-stage washer, electrostatically applied, thermoset polyester powder coat finish, with a minimum of 3-5 millimeter thickness. Finish is oven-baked at 400 °F to promote maximum adherence and finish hardness. All finishes are available in standard and custom colors.
- Finish is guaranteed for two (2) years.

Mounting

- Arm Mount: The fixture mounts directly to the pole by means of three stainless steel mounting bolts attaching to an in-pole nut plate, to ensure level installation.
- A Round Pole Plate Adaptor (LXRPP-4/5) is required for mounting to 4" or 5" round poles.

Electrical Assembly


- All ballasts are premium-grade HPF regulating autotransformers. Ballast is capable of providing consistent lamp starting down to -20 °F.
- Socket is glazed porcelain medium or mogul base with nickel-plated contacts, rated at 4 kV (5 kV for 1000 watt) and 600 V.

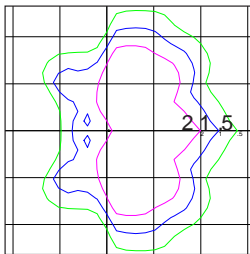
Options

- Photocell & receptacle
- Photo receptacle
- Button type photocell
- Quartz restrike
- Fusing
- House side light shield
- Internal light shield
- Round pole plate adaptor
- Cast wall plate

Please consult factory for custom options.

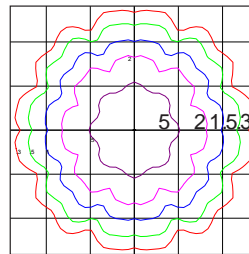
Listings

- Polera LX is  listed, suitable for wet locations.
- Dark-Sky Friendly®, full cutoff certified by the International Dark-Sky Association.
-  compliant.
- Powder Coated Tough™ 
- Vision™ Reflector System (U.S. Patent No. 7,213,948).



POLERA LX-1 ISOLUX CURVE
TYPE III
PULSE START OPTICS
400 WATTS

Scale: 1 Square = 28 ft
Initial Light Loss Factor = 1.00
Mounting Height = 28 ft
Arrangement: Single



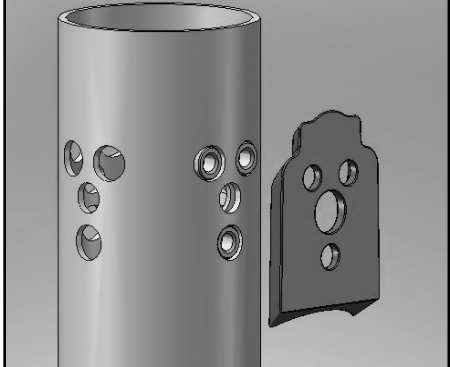
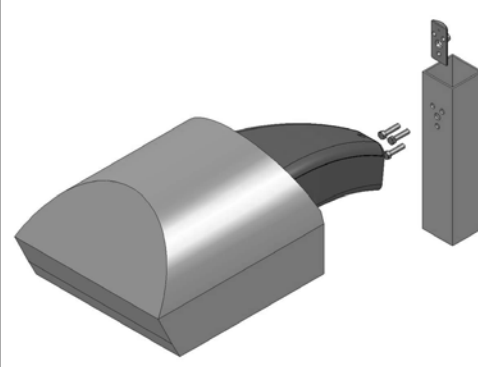
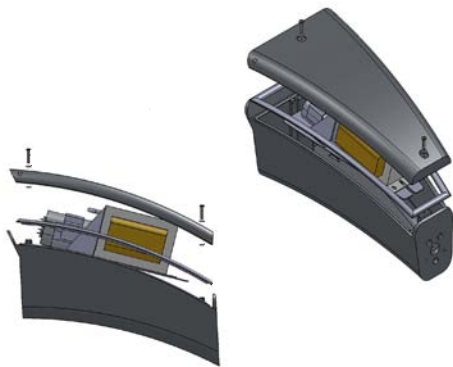
POLERA LX-2 ISOLUX CURVE
TYPE V
PULSE START OPTICS
1000 WATTS

Scale: 1 Square = 60 ft
Initial Light Loss Factor = 1.00
Mounting Height = 42 ft
Arrangement: Twin (back-to-back)







Ballast Housing/Mounting Arm

Bolt-On Arm Detail

Round Pole Plate Adaptor (RPP4/5)



EPA Data

Fixture with Arm						
PLX-1	2.2	3.5	4.4	5.3	5.7	5.3
PLX-2	2.8	4.5	5.6	6.9	7.5	6.8