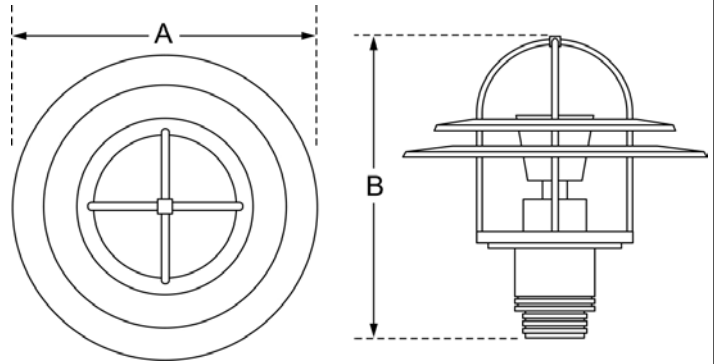


Westport HID

Project Name	Type
Catalog Number	



Dimensional Drawings




Fixture	A	B	Max. Watts	Lbs
WPT-1	27½"	30"	200 W	45

The **Westport** is an architecturally-designed luminaire with a unique, and modern look. The nautical influence is evident in the contemporary "Light House" look and feel.

The lens is a one-piece, seamless, high-impact-resistant, U.V. stabilized, clear acrylic enclosure, available with a specular, spun aluminum stacked louver assembly or a borosilicate glass refractor with the option of a symmetrical Type V or asymmetrical Type III pattern. A durable polyester powder coat finish is available in an array of architectural colors to enhance the application.

The **Westport** fixture slip fits over a standard 4" O.D. tenon and may be post top or wall mounted. A wide selection of light sources is available from 50 to 200 watts in High Pressure Sodium or Pulse Start Metal Halide.

Ideal applications for the **Westport** include pedestrian walkway areas in shopping centers, office parks, promenades, boardwalks, and many other areas where the contemporary look can accent the architectural design of the facility.

Model	Optics	Wattage	Source	Voltage	Mounting	Finish	Options
WPT-1	Stack Louver Reflector	50 (50)	PS HPS	120 (1)	Post Top *Mounts over 4" tenon (PT)	Bronze (BZ)	<u>Button Type Photocell</u> *Specify voltage (PC120) (PC208) (PC240) (PC277)
	Type V (SLR5)	70 (70)	PS HPS	208 (2)	Wall Mount (WM)	Black (BK)	
		100 (100)	PS HPS	240 (3)		White (WH)	<u>Fusing</u> *Specify voltage Single in-line fuse (SF120) (SF277) Double in-line fuse (DF208) (DF240) (DF480)
	Glass Refractor	150 (150)	PS HPS	277 (4)	Forest Green (FG)	Internal Light Shield (ILS) Lightly Diffused Lens (LDL)	
	Type III (GR3)	200 (200)	PS (P) (S)	480 (5)	Grey (GY)		
	Type V (GR5)			347 (8)	Silver Metallic (SM)		
					Custom Color (CC)		

PS - Pulse Start Metal Halide
HPS - High Pressure Sodium

For more detailed information on mounting, wiring or installation instructions, please consult factory. If poles are not ordered with fixtures, please specify mounting requirements. This document contains proprietary information of Visionaire Lighting, LLC. Any use of this information requires the written approval of Visionaire Lighting, LLC. In keeping with our TQM policy of continuous improvement, Visionaire reserves the right to change any specifications contained herein without prior notice.



19645 Rancho Way • Rancho Dominguez, CA • 90220
Tel: (310) 512-6480 • Fax: (310) 512-6486
www.visionairelighting.com



Housing

- The housing is comprised of a durable, corrosion-resistant, aluminum cage and cast ballast housing, with spun aluminum.
- All external hardware is stainless steel.

Lens and Door Assembly

- The lens is a one-piece, seamless, high-impact-resistant, U.V. stabilized, clear acrylic enclosure. Fully gasketed, with a form fitting one-piece, premium extruded silicone gasket to provide complete weather and insect protection.

Optical System

- The optics are derived from the combination of an internal glass refractor and an external reflector shade, available in a Type V symmetrical distribution or a Type III asymmetrical distribution pattern, or a specular, precision spun aluminum stack louver reflector assembly providing a Type V symmetrical distribution pattern.

Quali-Guard® Finish

- Aluminum fixture components are chemically pretreated through a multiple-stage washer and finished with an electrostatically-applied, thermoset polyester powder coat textured paint with a minimum of 3 to 5 millimeters thickness. Finish is oven-baked at a temperature of 400 °F to promote maximum adherence and finish hardness. All finishes are available in standard and custom colors.
- Finish is guaranteed for two (2) years.

Mounting

- The **Westport** mounts over a 4" O.D. tenon with a wide selection of decorative and custom mounting arms for both pole and wall mount applications (see Decorative Arms section of catalog).

Electrical Assembly

- All ballasts are premium HPF autotransformers, available in High Pressure Sodium or Pulse Start Metal Halide. Ballast is capable of consistent lamp starting down to -20 °F.

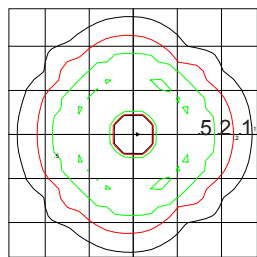
Options

- Button type photocell
- Fusing
- Internal light shield
- Lightly diffused lens

Listings

- Westport is listed, suitable for wet locations.
- compliant.
- Powder Coated Tough™

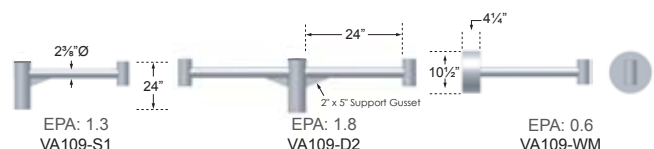
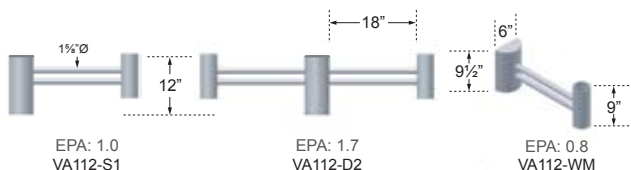
Isolux Curve



WESTPORT-1
TYPE V
PULSE START OPTICS
100 WATTS

Scale: 1 Square = 14 ft
Initial Light Loss Factor = 1.00
Mounting Height = 14 ft
Arrangement: Single

Typical Decorative Arms



EPA Data

Fixture	Fixture Only	Fixture with VA112-S1	2 Fixtures with VA112-D2	Fixture with VA109-S1	2 Fixtures with VA109-D2
WPT-1	4.2	5.2	9.1	5.5	10.7



19645 Rancho Way • Rancho Dominguez, CA • 90220
Tel: (310) 512-6480 • Fax: (310) 512-6486
www.visionairelighting.com