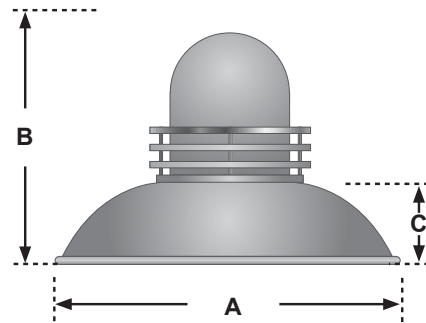


# Pavilion II LED

Project Name	Type
Catalog Number	



## Dimensional Drawings



Fixture	A	B	C	Max. LEDs	Lbs
PD-L	26"	18"	8"	84	30

The **Pavilion II LED** series is a versatile and contemporary fixture ideal for architectural applications where scale and style are essential.

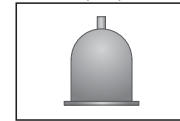
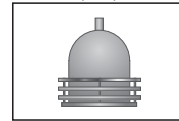
Two cap choices combined with three shapes of shades; allow for a number of design options. Type III and Type V LED optics are available and are Dark-Sky approved. The decorative rings are 3/8" cast aluminum.

Durable polyester powder coat finish is available in an array of architectural colors.

The **Pavilion II** series is an elegant choice for parks, retail settings, restaurants, marinas and sports arenas.

Cap w/ Aluminum Rings (C1)

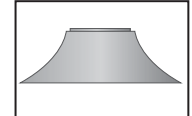
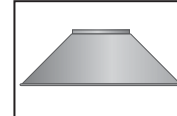
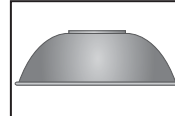
Cap w/out Rings (C3)



Curved-Out Shades (H1)

Straight Shades (H2)

Curved-In Shades (H3)



Model	Optics	Source	Milliamps	Kelvin	Voltage	Mounting	Finish	Cap/Shade	Options
PD-L	Type III (T3)	# of LEDs 42 (42L)	mA 350 (3)	4000K (4K)	120-277 *Universal voltage (UNV)	Arm Mount (AM)	Bronze (BZ)	Cap C1 (C1)	Button Type Photocell *Specify voltage (PC120) (PC208) (PC240) (PC277)
	Type V (T5)	84 (84L)	530 (5)	Solar 12 VDC (12VDC)	Yoke Mount 1 Bar (YM1)	Black (BK)	C3 (C3)	Fusing *Specify voltage Single in-line fuse (SF120) (SF277) Double in-line fuse (DF208) (DF240)	
		700 (7)	Yoke Mount 2 Bars (YM2)				White (WH)		Shade H1 (H1)
					Wall Mount (WM)	Forest Green (FG)	H2 (H2)	Cutoff Louver System (CLS)	
						Grey (GY)	H3 (H3)	High-Low System (HL)	
						Silver Metallic (SL)			
						Custom Color (CC)			

\*Input selection from this column in the form of C1-H1

PD-L - Pavilion Deep Shade LED

LED - Light Emitting Diode

For more detailed information on mounting, wiring or installation instructions, please consult factory. If poles are not ordered with fixtures, please specify mounting requirements. This document contains proprietary information of Visionaire Lighting, LLC. Any use of this information requires the written approval of Visionaire Lighting, LLC. In keeping with our TQM policy of continuous improvement, Visionaire reserves the right to change any specifications contained herein without prior notice.



19645 Rancho Way • Rancho Dominguez, CA • 90220  
Tel: (310) 512-6480 • Fax: (310) 512-6486  
www.visionairelighting.com



### Housing

- The driver housing and reflector shade are constructed from two-piece, heavy-gauge, spun aluminum with a rolled edge for added strength. Choose straight, curved-out or curved-in shades.
- All external hardware is stainless steel.
- Decorative rings are 3/8" cast aluminum.

### Door Assembly

- A cast aluminum tool-less door allows easy access into housing and is fully gasketed with a form-fitting one-piece premium extruded silicone gasket to provide complete weather and insect protection.

### Optical System

- The highest lumen output LEDs available are utilized. Estimated life of the LEDs is a minimum of 60,000 hours. IES Type III and Type V distributions are standard. The LED VisionBar™ light assemblies are field replaceable. Available with up to 84 LEDs. The optical system qualifies as IES full cutoff; and is Dark-Sky certified to restrict light trespass, glare and light pollution for neighborhood-friendly lighting.

### Quali-Guard® Finish

- Aluminum fixture components are chemically pretreated through a multiple-stage washer and finished with an electrostatically-applied, thermoset polyester powder coat textured paint with a minimum of 3 to 5 mils thickness. Finish is oven-baked at a temperature of 400 °F to promote maximum adherence and finish hardness. All finishes are available in standard and custom colors.

### Mounting

- **Pavilion II** mounts to a wide selection of decorative and custom mounting arms for both pole and wall mount applications (see Decorative Arms section of catalog).

### Electrical Assembly

- The **Pavilion II** is supplied with a high-performance LED driver, located in its cap, that accepts 120 V through 277 V, 50 Hz to 60 Hz input. Power factor is 90%. Rated for -40 °F operation.
- High-low system offers motion control or factory preset switching options. Consult factory for specific details.

### Warranty

- Five (5) year Limited Warranty on entire system, including finish. For full warranty information, please visit [VisionaireLighting.com](http://VisionaireLighting.com).

### Solar Vision Pole™ Option

- The **Pavilion II LED** is compatible for use with Visionaire Lighting's Solar Vision Pole™. Power up to 100 watts (SMR-1 wrap) or 100 watts (SMR-2 rigid panel) off-the-grid in any locale.

### Options

- Button type photocell.
- Fusing.
- Cutoff louver system.
- High-low system.

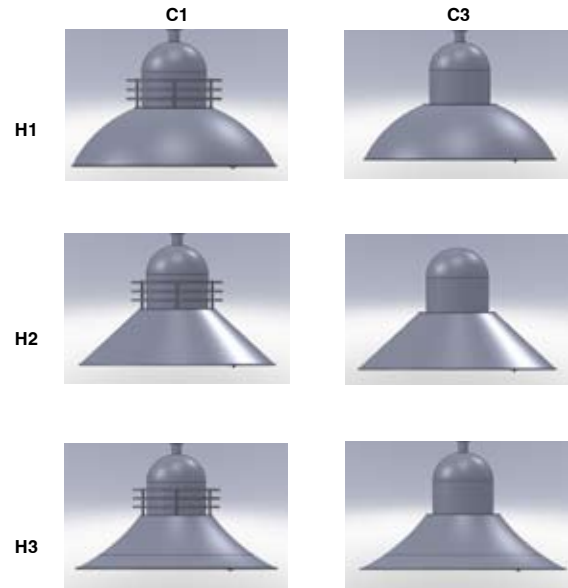
### Listings

- Pavilion II is  listed, suitable for wet locations.
- Dark-Sky Friendly® full cutoff certified by the International Dark-Sky Association.
- LM79.
- LM80.
- Powder Coated Tough™ 
- RoHS compliant.

### Mounting Detail



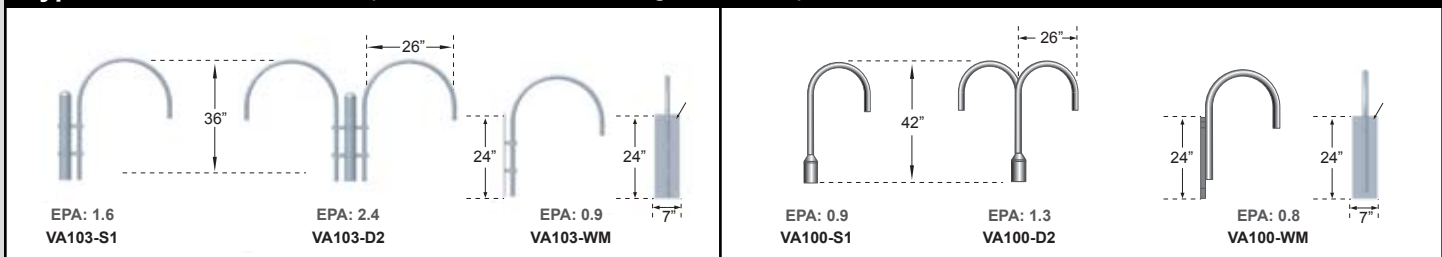
### Cap and Shade Combinations



### LED Data Chart

# LEDs	Output mA	Nominal Watts	System Watts 120
42	350	45	46
	530	66	70
	700	90	95
84	350	90	92
	530	132	137
	700	N/A	N/A

### Typical Decorative Arms - (Additional Arms in Mounting Arm Section)



### EPA Data

Fixture	Fixture Only	Fixture with VA103-S1	2 Fixtures with VA103-D2	Fixture with VA100-S1	2 Fixtures with VA100-D2
PD-L	2.8	4.4	8	3.7	6.9

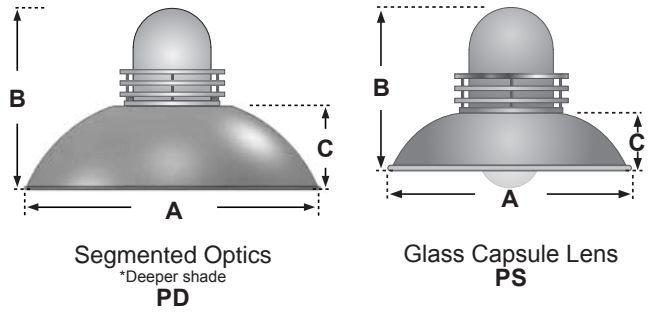


19645 Rancho Way • Rancho Dominguez, CA • 90220  
 Tel: (310) 512-6480 • Fax: (310) 512-6486  
[www.visionairelighting.com](http://www.visionairelighting.com)

# Pavilion II HID/CF



## Dimensional Drawings



Fixture	A	B	C	Max. Watts	Lbs
PD	26"	16 <sup>7</sup> / <sub>8</sub> "	8"	200 W	30
PS	24"	15 <sup>3</sup> / <sub>4</sub> "	6 <sup>7</sup> / <sub>8</sub> "	150 W	30

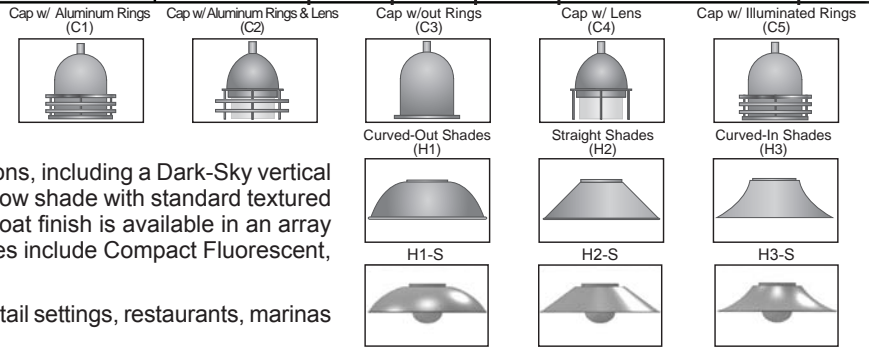


Shown w/yoke mount

The **Pavilion II** series is a versatile and contemporary fixture ideal for architectural applications where scale and style are essential.

Five cap choices, including colored illuminated rings and window panes, six shapes of shades and three optic systems allow for endless design options, including a Dark-Sky vertical lamp, flat glass lens version (PD), or choose the shallow shade with standard textured glass capsule lens (PS). Durable polyester powder coat finish is available in an array of architectural colors. A wide selection of light sources include Compact Fluorescent, High Pressure Sodium or Pulse Start Metal Halide.

The **Pavilion II** series is an elegant choice for parks, retail settings, restaurants, marinas and sports arenas.



Model	Optics	Wattage	Source	Voltage	Mounting	Finish	Cap/Shade	Options
<b>PD</b> *Segmented optics	Flat Glass Segmented Reflectors  Type III (T3)  Type V (T5)	HID	PS HPS  PS HPS  PS HPS  PS (P) (S)  CF (CF)	120	Arm Mount	Bronze	Cap C1 (C1) C2 (C2) C3 (C3) C4 (C4) C5 *Illuminated rings (C5)  Shade *PD only H1 (H1) H2 (H2) H3 (H3)  Shade *PS only H1-S (H1S) H2-S (H2S) H3-S (H3S)	Button Type Photocell *Specify voltage (PC120) (PC208) (PC240) (PC277)  Fusing *Specify voltage Single in-line fuse (SF120) (SF277) Double in-line fuse (DF208) (DF240) (DF480)  Clear Glass Capsule Lens *PS only (CG)  Acrylic Tear Drop Lens *PD only (ATD)  Internal Light Shield *PD only (ILS)  Illuminated Rings *(IR- ) Blue (BL) Red (RD) Green (GN) Clear (CL)
		70		208	Yoke Mount	Black		
		(70)		240	1 Bar	White		
		100		277	2 Bars	Forest Green		
		(100)		480	Wall Mount	Grey		
150	M-Tap *Multi-Tap ballast wired at 277 V unless specified  347 (8)  120-277 *Universal voltage (UNV)	Yoke Mount 2 Bars (YM2)	Silver Metallic (SL)  Custom Color (CC)					
(150)				(S)				
200								
(200)								
2x42								
(200)								
PS *Glass capsule lens. Arm mount only.	Symmetrical Light Distribution (SYM)	Compact Fluorescent *120-277 V universal voltage	CF (CF)	120 (1)  208 (2)  240 (3)  277 (4)  480 (5)	Arm Mount (AM)  Yoke Mount 1 Bar (YM1)  Yoke Mount 2 Bars (YM2)  Wall Mount (WM)	Bronze (BZ)  Black (BK)  White (WH)  Forest Green (FG)  Grey (GY)  Silver Metallic (SL)  Custom Color (CC)	Cap C1 (C1) C2 (C2) C3 (C3) C4 (C4) C5 *Illuminated rings (C5)  Shade *PD only H1 (H1) H2 (H2) H3 (H3)  Shade *PS only H1-S (H1S) H2-S (H2S) H3-S (H3S)	Button Type Photocell *Specify voltage (PC120) (PC208) (PC240) (PC277)  Fusing *Specify voltage Single in-line fuse (SF120) (SF277) Double in-line fuse (DF208) (DF240) (DF480)  Clear Glass Capsule Lens *PS only (CG)  Acrylic Tear Drop Lens *PD only (ATD)  Internal Light Shield *PD only (ILS)  Illuminated Rings *(IR- ) Blue (BL) Red (RD) Green (GN) Clear (CL)

For more detailed information on mounting, wiring or installation instructions, please consult factory. If poles are not ordered with fixtures, please specify mounting requirements. This document contains proprietary information of Visionaire Lighting, LLC. Any use of this information requires the written approval of Visionaire Lighting, LLC. In keeping with our TQM policy of continuous improvement, Visionaire reserves the right to change any specifications contained herein without prior notice.



19645 Rancho Way • Rancho Dominguez, CA • 90220  
 Tel: (310) 512-6480 • Fax: (310) 512-6486  
 www.visionairelighting.com



### Housing

- The ballast housing and reflector shade are constructed from a two-piece, heavy-gauge, spun aluminum with rolled edge for added strength. Choose straight, curved out or curved-in shades.
- All external hardware is stainless steel.

### Lens and Door Assembly

- The **Pavilion II** Series is available with two lens and door assembly sizes. The PD is a segmented reflector system with a tool-less door entry for easy maintenance of the **Pavilion II**. Also available is an optional tear drop acrylic lens. The PS is a screw in capsule lens.

### Vision™ Optical System

- Patented Vision™ series high-performance, multifaceted, segmented, 95% reflectance, anodized aluminum reflectors.
- Type III and Type V distribution patterns are available.
- Type III reflector is field rotatable in 90° increments.

### Optical System

- The symmetrical distribution pattern of the textured capsule lens model are derived from the combination of the glass capsule lens and the external reflector shade.

### Quali-Guard® Finish

- Aluminum fixture components are chemically pretreated through a multiple-stage washer and finished with an electrostatically-applied, thermoset polyester powder coat textured paint with a minimum of 3 to 5 mils thickness. Finish is oven-baked at a temperature of 400 °F to promote maximum adherence and finish hardness. All finishes are available in standard and custom colors.
- Finish is guaranteed for two (2) years.

### Mounting

- **Pavilion II** mounts to a wide selection of decorative and custom mounting arms for both pole and wall mount applications (see Decorative Arms section of catalog).

### Electrical Assembly

- All ballasts are premium HPF autotransformers, available in High Pressure Sodium or Pulse Start Metal Halide. Ballast is capable of providing consistent lamp starting down to -20 °F.
- A high-performance, electronic transformer operates at 120 thru 277 volts, 50 to 60 Hz, with a 90% power factor, and is rated for -20 °C operation.

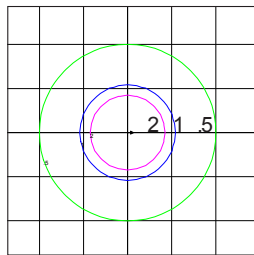
### Options

- Button type photocell.
- Fusing.
- Acrylic tear drop lens.
- Clear glass capsule lens.
- Illuminated rings
- Internal light shield (PD only).

### Listings

- Pavilion II is listed, suitable for wet locations.
- Dark-Sky Friendly® full cutoff certified by the International Dark-Sky Association (PD only with C1 and C3).
- Powder Coated Tough™

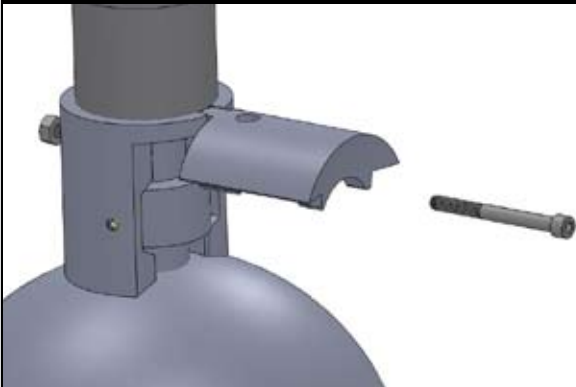
### Isolux Curve



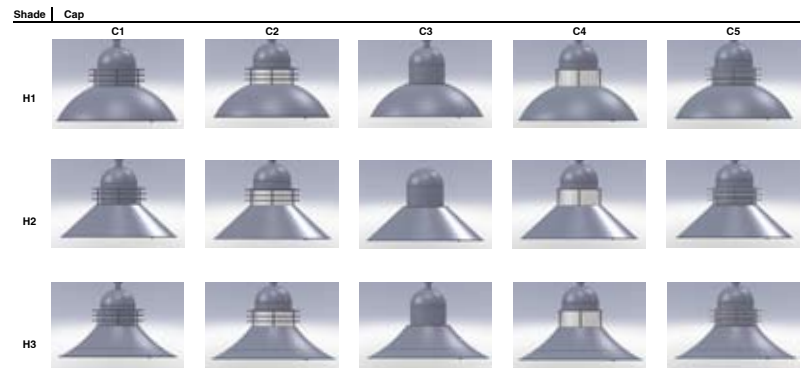
**PAVILION-II-PD**  
TYPE V  
PULSE START OPTICS  
100 WATTS

Scale: 1 Square = 15 ft  
Initial Light Loss Factor = 1.00  
Mounting Height = 15 ft  
Arrangement: Single

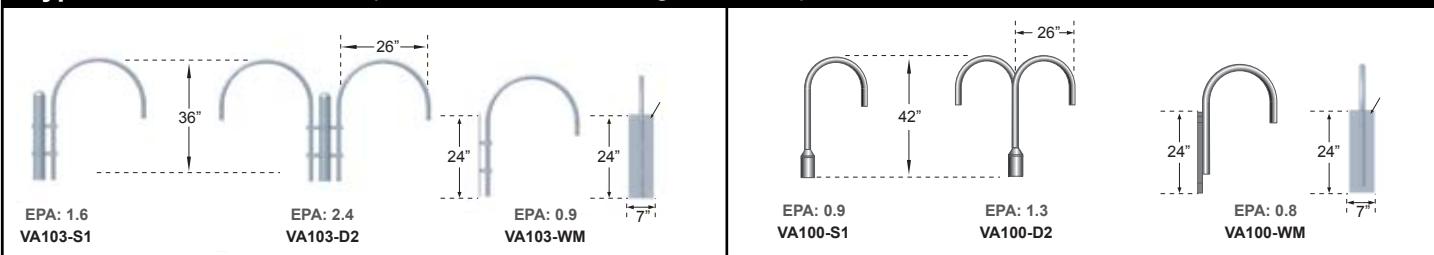
### Mounting Detail



### PD - Pavilion Deep Shade



### Typical Decorative Arms - (Additional Arms in Mounting Arm Section)



### EPA Data

Fixture	Fixture Only	Fixture with VA103-S1	2 Fixtures with VA103-D2	Fixture with VA100-S1	2 Fixtures with VA100-D2
PD	2.8	4.4	8	3.7	6.9



19645 Rancho Way • Rancho Dominguez, CA • 90220  
Tel: (310) 512-6480 • Fax: (310) 512-6486  
www.visionairelighting.com