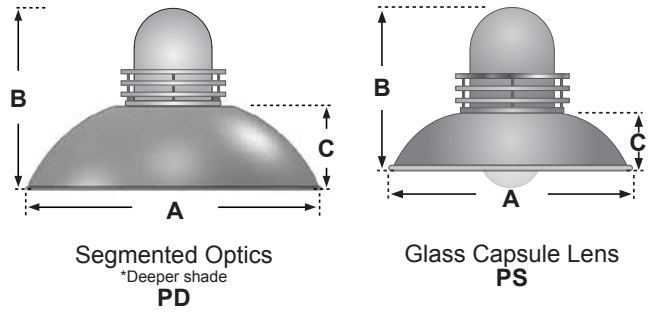


Pavilion II HID/CF

Project Name	Type
Catalog Number	



Dimensional Drawings



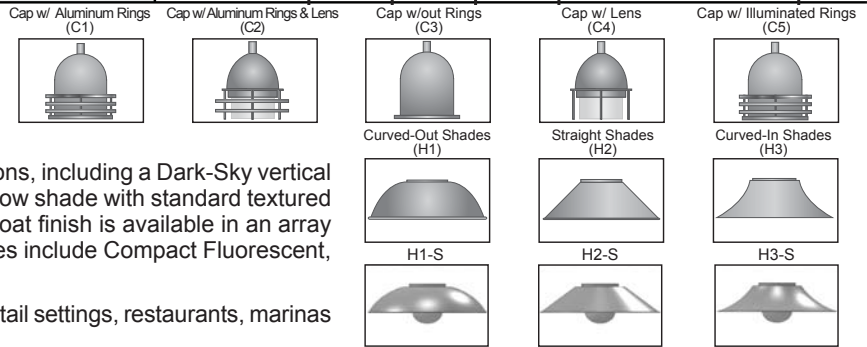
Shown w/yoke mount

Fixture	A	B	C	Max. Watts	Lbs
PD	26"	18"	8"	200 W	30
PS	24"	16 ⁷ / ₈ "	6 ⁷ / ₈ "	150 W	30

The **Pavilion II** series is a versatile and contemporary fixture ideal for architectural applications where scale and style are essential.

Five cap choices, including colored illuminated rings and window panes, six shapes of shades and three optic systems allow for endless design options, including a Dark-Sky vertical lamp, flat glass lens version (PD), or choose the shallow shade with standard textured glass capsule lens (PS). Durable polyester powder coat finish is available in an array of architectural colors. A wide selection of light sources include Compact Fluorescent, High Pressure Sodium or Pulse Start Metal Halide.

The **Pavilion II** series is an elegant choice for parks, retail settings, restaurants, marinas and sports arenas.



Model	Optics	Wattage	Source	Voltage	Mounting	Finish	Cap/Shade	Options				
PD *Segmented optics	Flat Glass	<u>HID</u>	PS HPS PS HPS PS HPS PS (P) (S) CF (CF)	120 (1) 208 (2) 240 (3) 277 (4) 480 (5)	Arm Mount (AM) Yoke Mount 1 Bar (YM1) Yoke Mount 2 Bars (YM2) Wall Mount (WM)	Bronze (BZ) Black (BK) White (WH) Forest Green (FG) Grey (GY) Silver Metallic (SL) Custom Color (CC)	<u>Cap</u> C1 (C1) C2 (C2) C3 (C3) C4 (C4) C5 *Illuminated rings (C5)	<u>Button Type Photocell</u> *Specify voltage (PC120) (PC208) (PC240) (PC277) <u>Fusing</u> *Specify voltage Single in-line fuse (SF120) (SF277) Double in-line fuse (DF208) (DF240) (DF480) Clear Glass Capsule Lens *PS only (CG) Acrylic Tear Drop Lens *PD only (ATD) Internal Light Shield *PD only (ILS) <u>Illuminated Rings</u> *(IR-) Blue (BL) Red (RD) Green (GN) Clear (CL)				
	Segmented Reflectors	70 (70)							120-277 V universal voltage	M-Tap *Multi-Tap ballast wired at 277 V unless specified	Shade *PD only H1 (H1) H2 (H2) H3 (H3)	*Input selection from this column in the form of C1-H1
	Type III (T3)	100 (100)							32 (32)	347 (8)	H1-S (H1S) H2-S (H2S) H3-S (H3S)	*For Cap 5 only, input option in the form of: IR-xx, where "xx" indicates color (BL, RD, GN or CL).
	Type V (T5)	150 (150)							42 (42)	120-277 *Universal voltage (UNV)		
		200 *PD only (200)							2x42 *PD only (2x42)			
PS *Glass capsule lens. Arm mount only.	Symmetrical Light Distribution (SYM)	Compact Fluorescent	CF (CF)	120-277 *Universal voltage (UNV)		Custom Color (CC)	<u>Shade</u> *PS only H1-S (H1S) H2-S (H2S) H3-S (H3S)	*For Cap 5 only, input option in the form of: IR-xx, where "xx" indicates color (BL, RD, GN or CL).				

For more detailed information on mounting, wiring or installation instructions, please consult factory. If poles are not ordered with fixtures, please specify mounting requirements. This document contains proprietary information of Visionaire Lighting, LLC. Any use of this information requires the written approval of Visionaire Lighting, LLC. In keeping with our TQM policy of continuous improvement, Visionaire reserves the right to change any specifications contained herein without prior notice.



19645 Rancho Way • Rancho Dominguez, CA • 90220
 Tel: (310) 512-6480 • Fax: (310) 512-6486
 www.visionairelighting.com



Housing

- The ballast housing and reflector shade are constructed from a two-piece, heavy-gauge, spun aluminum with rolled edge for added strength. Choose straight, curved out or curved-in shades.
- All external hardware is stainless steel.

Lens and Door Assembly

- The **Pavilion II** Series is available with two lens and door assembly sizes. The PD is a segmented reflector system with a tool-less door entry for easy maintenance of the **Pavilion II**. Also available is an optional tear drop acrylic lens. The PS is a screw in capsule lens.

Vision™ Optical System

- Patented Vision™ series high-performance, multifaceted, segmented, 95% reflectance, anodized aluminum reflectors.
- Type III and Type V distribution patterns are available.
- Type III reflector is field rotatable in 90° increments.

Optical System

- The symmetrical distribution pattern of the textured capsule lens model are derived from the combination of the glass capsule lens and the external reflector shade.

Quali-Guard® Finish

- Aluminum fixture components are chemically pretreated through a multiple-stage washer and finished with an electrostatically-applied, thermoset polyester powder coat textured paint with a minimum of 3 to 5 mils thickness. Finish is oven-baked at a temperature of 400 °F to promote maximum adherence and finish hardness. All finishes are available in standard and custom colors.
- Finish is guaranteed for two (2) years.

Mounting

- **Pavilion II** mounts to a wide selection of decorative and custom mounting arms for both pole and wall mount applications (see Decorative Arms section of catalog).

Electrical Assembly

- All ballasts are premium HPF autotransformers, available in High Pressure Sodium or Pulse Start Metal Halide. Ballast is capable of providing consistent lamp starting down to -20 °F.
- A high-performance, electronic transformer operates at 120 thru 277 volts, 50 to 60 Hz, with a 90% power factor, and is rated for -20 °C operation.

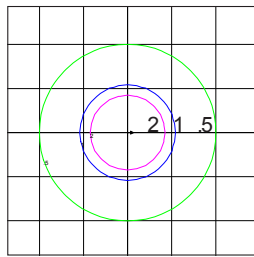
Options

- Button type photocell.
- Fusing.
- Acrylic tear drop lens.
- Clear glass capsule lens.
- Illuminated rings
- Internal light shield (PD only).

Listings

- Pavilion II is listed, suitable for wet locations.
- Dark-Sky Friendly® full cutoff certified by the International Dark-Sky Association (PD only with C1 and C3).
- Powder Coated Tough™

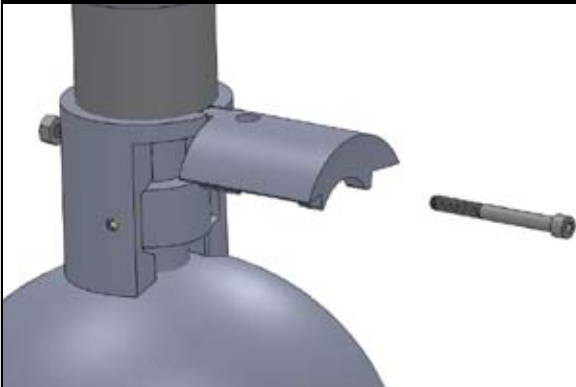
Isolux Curve



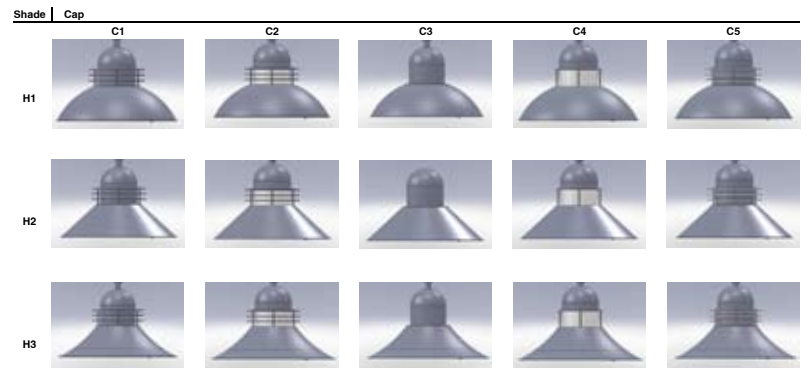
PAVILION-II-PD
TYPE V
PULSE START OPTICS
100 WATTS

Scale: 1 Square = 15 ft
Initial Light Loss Factor = 1.00
Mounting Height = 15 ft
Arrangement: Single

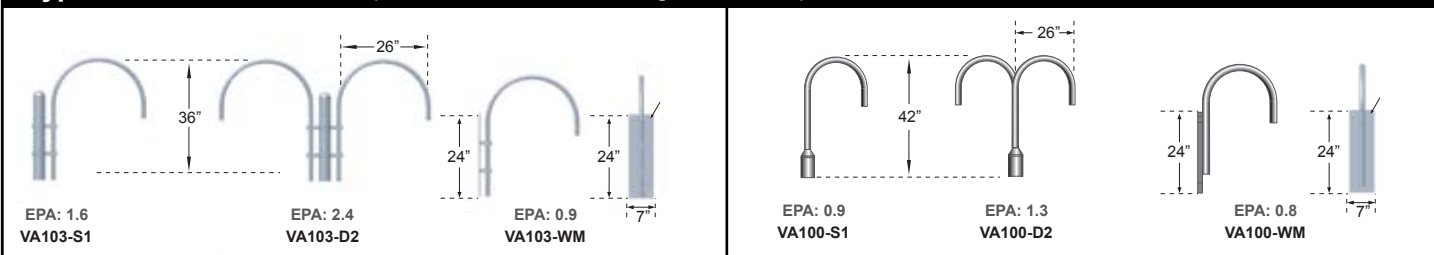
Mounting Detail



PD - Pavilion Deep Shade



Typical Decorative Arms - (Additional Arms in Mounting Arm Section)



EPA Data

Fixture	Fixture Only	Fixture with VA103-S1	2 Fixtures with VA103-D2	Fixture with VA100-S1	2 Fixtures with VA100-D2
PD	2.8	4.4	8	3.7	6.9



19645 Rancho Way • Rancho Dominguez, CA • 90220
Tel: (310) 512-6480 • Fax: (310) 512-6486
www.visionairelighting.com