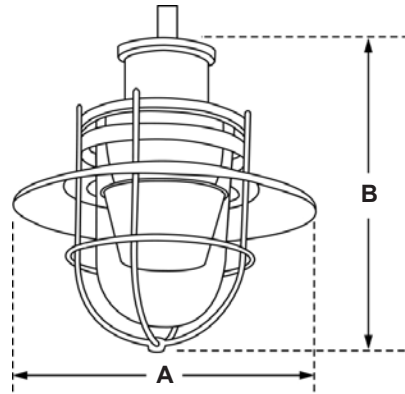


Main Street HID/INDUCTION

Project Name	Type
Catalog Number	



Dimensional Drawings



Fixture	A	B	Max. Watts	Lbs
MST-1	23 1/4"	28"	200 W	45

The **Main Street** is an architecturally-designed luminaire, with a unique modern shape that coordinates well with a wide selection of brackets for pole or wall mounting.

The lens is a one-piece, seamless, high-impact-resistant, U.V. stabilized, clear acrylic enclosure with borosilicate glass refractor. Symmetrical Type V or asymmetrical Type III distribution patterns are available.

A durable polyester powder coat finish is available in an array of architectural colors to enhance the application. A wide selection of light sources is available from 50 to 200 watts in High Pressure Sodium or Pulse Start Metal Halide, or from 35 to 85 watts of Induction.

The **Main Street** is the perfect fixture for applications including roadways, bike trails, boardwalks, pedestrian areas, lifestyle centers and other areas where a unique contemporary look adds to the design of the project.

Model	Optics	Wattage	Source	Kelvin	Voltage	Mounting	Finish	Options
MST-1	Glass Refractor Type III (GR3)	HID	PS HPS		120 (1)	Arm Mount (AM)	Bronze (BZ)	Button Type Photocell *Specify voltage (PC120) (PC208) (PC240) (PC277) Fusing *Specify voltage Single in-line fuse (SF120) (SF277) Double in-line fuse (DF208) (DF240) (DF480) Internal Light Shield (ILS) Lightly Diffused Lens (LDL)
		(50)			208 (2)	Wall Mount (WM)	Black (BK)	
		70 (70)	240 (3)			White (WH)		
		100 (100)	277 (4)			Forest Green (FG)		
		150 (150)	480 (5)			Grey (GY)		
	Type V (GR5)	200 (200)	PS (P) (S)		M-Tap *HID only. Multi-Tap ballast wired at 277 V unless specified. (6)	Silver Metallic (SL)		
		Induction	IND (IND)		3000K (3K)	Custom Color (CC)		
		35 (35G)			5000K (5K)			
		55 (55G)						
		85 (85G)						

PS - Pulse Start Metal Halide
 HPS - High Pressure Sodium
 IND - Induction

For more detailed information on mounting, wiring or installation instructions, please consult factory. If poles are not ordered with fixtures, please specify mounting requirements. This document contains proprietary information of Visionaire Lighting, LLC. Any use of this information requires the written approval of Visionaire Lighting, LLC. In keeping with our TQM policy of continuous improvement, Visionaire reserves the right to change any specifications contained herein without prior notice.



19645 Rancho Way • Rancho Dominguez, CA • 90220
 Tel: (310) 512-6480 • Fax: (310) 512-6486
 www.visionairelighting.com



Housing

- The housing is comprised of a durable, corrosion-resistant, aluminum cage and cast ballast housing with spun aluminum shade.
- All external hardware is stainless steel.

Lens and Door Assembly

- The lens is a one-piece, seamless, high-impact-resistant, U.V. stabilized, clear acrylic enclosure. Fully gasketed with a form-fitting, one-piece premium extruded silicone gasket to provide complete weather and insect protection.

Optical System

- The optics are derived from the combination of an internal glass refractor and external reflector shade. Available in Type III and Type V distribution patterns.

Quali-Guard® Finish

- Aluminum fixture components are chemically pretreated through a multiple-stage washer and finished with an electrostatically applied, thermoset polyester powder coat textured paint with a minimum of 3 to 5 mils thickness. Finish is oven-baked at a temperature of 400 °F to promote maximum adherence and finish hardness. All finishes are available in standard and custom colors.
- Finish is guaranteed for two (2) years.

Mounting

- **Main Street** suspends from a selection of decorative and custom mounting arms for both pole and wall mount applications (see Decorative Arms section of catalog).

Electrical Assembly

- Ballast is factory wired and tapped to voltage specifications. All ballasts are HPF regulating autotransformers, available in High Pressure Sodium and high efficiency Pulse Start Metal Halide.
- Induction generator accepts 120 V thru 277 V, 50 Hz to 60 Hz, input. Power factor of 90%. Rated for -20 °F operation.

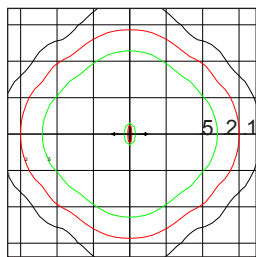
Options

- Button type photocell
- Fusing
- Internal light shield
- Lightly diffused lens

Listings

- Main Street is listed, suitable for wet locations.
- compliant (HID only).
- Powder Coated Tough™

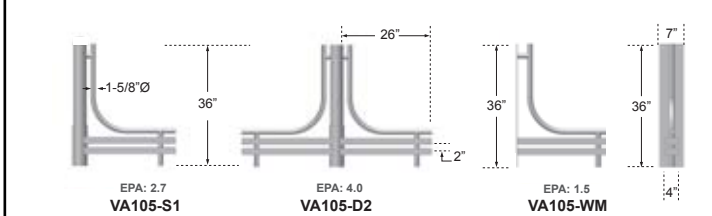
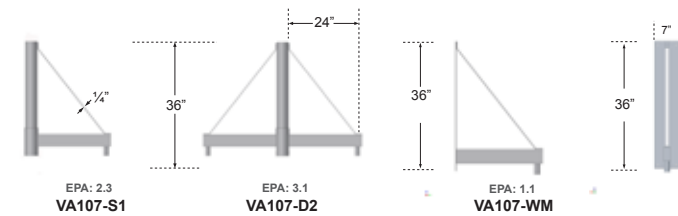
Isolux Curve



MAIN STREET-1
TYPE V
PULSE START OPTICS
100 WATTS

Scale: 1 Square = 12 ft
Initial Light Loss Factor = 1.00
Mounting Height = 12 ft
Arm Length = 4 ft
Arrangement: Double

Typical Decorative Arms



EPA Data

Fixture	Fixture Only	Fixture with VA107-S1	2 Fixtures with VA107-D2	Fixture with VA105-S1	2 Fixtures with VA105-D2
MST-1	4.2	6.5	11.5	6.9	12.4



19645 Rancho Way • Rancho Dominguez, CA • 90220
Tel: (310) 512-6480 • Fax: (310) 512-6486
www.visionairelighting.com