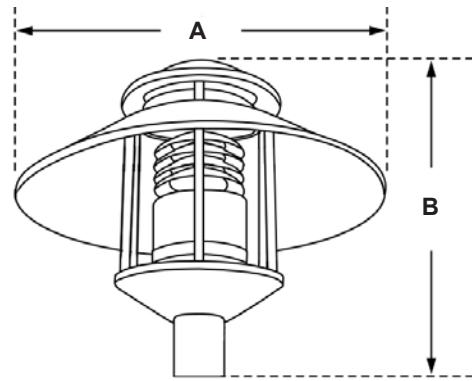


Entina HID/CF

Project Name	Type
Catalog Number	



Dimensional Drawings



Fixture	A	B	Max. Watts	Lbs
ETA-1	24"	21"	150 W	35

The **Entina** is an architectural luminaire for post top or wall mount applications. A beautiful addition to any architectural project, the **Entina** adds a unique style and flair to accent a variety of designs.

The standard lens is high-impact-resistant, U.V. stabilized, clear acrylic. The optical system is either a specular, spun aluminum, stacked louver reflector assembly with symmetrical distribution, or a borosilicate glass refractor in symmetrical Type V or asymmetrical Type III distribution pattern.

A durable polyester powder coat finish is available in an array of architectural colors to enhance any design application. A wide selection of light sources is available from Compact Fluorescent, High Pressure Sodium, or Pulse Start Metal Halide.

The **Entina** is ideal for high-profile architectural projects such as government centers, city squares, convention centers and any application where stylish luminaires highlight the surrounding architecture.

Model	Optics	Wattage	Source	Voltage	Mounting	Finish	Options		
ETA-1	Stack Louver Reflector Type V (SLR5) 	HID 70 (70)	PS (P) HPS (S)	120 (1)	Post Top *Mounts over 3" tenon (PT)	Bronze (BZ)	Button Type Photocell *Specify voltage (PC120) (PC208) (PC240) (PC277)		
		100 (100)		208 (2)		Wall Mount (WM)		Black (BK)	
		150 (150)		240 (3)		White (WH)	Fusing *Specify voltage Single in-line fuse (SF120) (SF277) Double in-line fuse (DF208) (DF240) (DF480)		
	Glass Refractor Type III (GR3) 	Compact Fluorescent *120-277 V universal voltage	CF (CF)	277 (4)	120-277 *Universal voltage. CF only (UNV)		Forest Green (FG)	Internal Light Shield (ILS)	
				26 (26)			480 (5)		Grey (GY)
				32 (32)					Silver Metallic (SL)
	Type V (GR5) 			42 (42)	347 (8)		Custom Color (CC)	Solid Top (ST)	

PS - Pulse Start Metal Halide
HPS - High Pressure Sodium
CF - Compact Fluorescent

For more detailed information on mounting, wiring or installation instructions, please consult factory. If poles are not ordered with fixtures, please specify mounting requirements. This document contains proprietary information of Visionaire Lighting, LLC. Any use of this information requires the written approval of Visionaire Lighting, LLC. In keeping with our TQM policy of continuous improvement, Visionaire reserves the right to change any specifications contained herein without prior notice.



19645 Rancho Way • Rancho Dominguez, CA • 90220
Tel: (310) 512-6480 • Fax: (310) 512-6486
www.visionairelighting.com



Housing

- The housing is constructed from durable, corrosion-resistant, cast aluminum, with a heavy gauge spun aluminum reflector shade, and four vertical support rods surrounding the lens.
- All external hardware is stainless steel.

Lens and Door Assembly

- The standard lens is a high-impact-resistant, U.V. stabilized, clear acrylic. Also available with a lightly diffused acrylic lens.

Optical System

- The optical system is comprised of a specular, precision spun, aluminum stack louver reflector assembly, or borosilicate glass refractor. Available in Type III and Type V distribution patterns.

Quali-Guard® Finish

- Aluminum fixture components are chemically pretreated through a multiple-stage washer, and finished with an electrostatically-applied, thermoset polyester powder coat textured paint with a minimum of 3 to 5 millimeters thickness. Finish is oven-baked at a temperature of 400 °F to promote maximum adherence and finish hardness. All finishes are available in standard and custom colors.
- Finish is guaranteed for two (2) years.

Mounting

- Entina mounts over a 3-inch tenon with a wide selection of decorative and custom mounting arms for both pole and wall mount applications (see Decorative Arms section of catalog).

Electrical Assembly

- All ballasts are premium HPF regulating autotransformers, available in High Pressure Sodium and Pulse Start Metal Halide. Ballasts are capable of providing consistent lamp starting down to -20 °F.
- A high-performance, electronic transformer operates at 120 through 277 volts, 50 to 60 Hz, with a 90% power factor, and is rated for -20 °C operation.

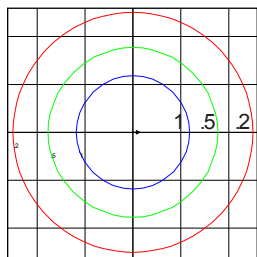
Options

- Button type photocell
- Fusing
- Internal light shield
- Lightly diffused lens
- Solid top

Listings

- Entina is listed, suitable for wet locations.
- compliant (HID only).
- Powder Coated Tough™

Isolux Curve



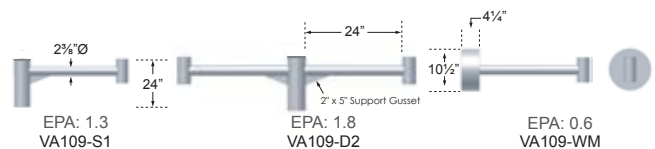
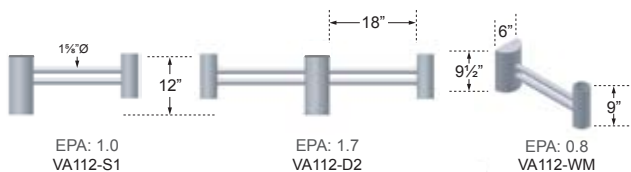
ENTINA-1
TYPE V
PULSE START OPTICS
150 WATTS

Scale: 1 Square = 14 ft
Light Loss Factor = 1.00
Mounting Height = 14 ft
Arrangement: Single

Solid Top Option



Typical Decorative Arms - (Additional Arms in Mounting Arm Section)



EPA Data

Fixture	Fixture Only	Fixture with VA112-S1	2 Fixtures with VA112-D2	Fixture with VA109-S1	2 Fixtures with VA109-D2
ETA-1	3.5	4.5	8.7	4.8	8.8



19645 Rancho Way • Rancho Dominguez, CA • 90220
Tel: (310) 512-6480 • Fax: (310) 512-6486
www.visionairelighting.com