

California Aria LED

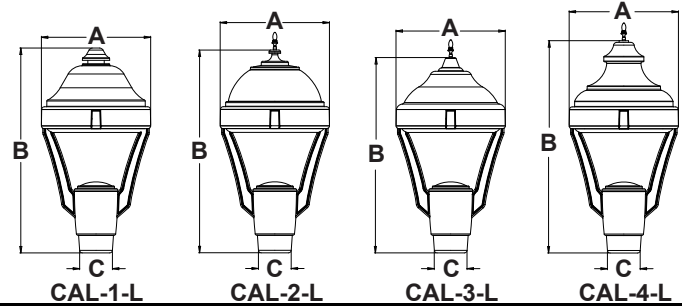
Project Name	Type
Catalog Number	



CAL-1-L



Dimensional Drawings



Fixture	A	B	C	Max. LEDs	Lbs
CAL-1-L	20"	37½"	6"	84	41
CAL-2-L	20"	37⅞"	6"	84	42
CAL-3-L	20"	35¾"	6"	84	39
CAL-4-L	20"	38⅞"	6"	84	39

Beauty meets performance in this feature-rich and highly versatile **California Aria** luminaire series. The **California Aria LED** offers excellent control and an exceptionally long life (minimum 100,000 hours). Our high-efficiency light engines house our latest high-brightness, **EVO/C LEDs** for a minimum CRI of 70, and increased energy savings. A choice of Kelvin in either 4,000 or 5,500 is available.

The **California Aria's** fully-sealed housing features an exceptionally well-designed thermal management system that provides superior heat dissipation.

The **California Aria** is a strong, die cast aluminum fixture, manufactured in four architecturally pleasing housing styles, with mix and match finials and a variety of finishes to choose from. Tool-less entry makes this luminaire's maintenance a breeze.

This post top luminaire is a flat lens, IES full cutoff fixture; and is Dark-Sky certified to restrict light trespass, glare and light pollution for neighborhood-friendly outdoor lighting that is especially desirable in any pedestrian locale.

The **California Aria** is a perfect compliment to any shopping center, park, walkway or boardwalk environment.

Model	Optics	# of LEDs	Milliamps	Source	Kelvin	Voltage	Mounting	Finish	Options
CAL-1-L	Type I (T1)	42 (42LC)	mA 350 (3)	LED (LED)	4000K (4K)	120-277 *Universal voltage (UNV)	Post Top *Slips over 3"ØD tenon x 4" tall with special threaded mounting plate. Requires special tenon adaptor if poles are not Visionaire Lighting poles. (PT)	Bronze (BZ)	<u>Finials</u> <u>Button Type Photocell</u> *Specify voltage (PC120) (PC208) (PC240) (PC277) Dual Circuit (DC) Fusing *Specify voltage Single in-line fuse (SF120) (SF277) Double in-line fuse (DF208) (DF240) Cutoff Louver System (CLS) Dimming/Controls *Consult factory
CAL-2-L		84 (84LC)	530 (5)		5500K (55K)			Black (BK)	
CAL-3-L	Type II (T2)							White (WH)	
CAL-4-L	Type III (T3)							Forest Green (FG)	
	Type IV (T4)							Silver Metallic (SL)	
	Type V (T5)							Weathered Brown (WB)	
								Soft Gold (SG)	
								Custom Color (CC)	

LED - Light Emitting Diode

For more detailed information on mounting, wiring or installation instructions, please consult factory. If poles are not ordered with fixtures, please specify mounting requirements. This document contains proprietary information of Visionaire Lighting, LLC. Any use of this information requires the written approval of Visionaire Lighting, LLC. In keeping with our TQM policy of continuous improvement, Visionaire reserves the right to change any specifications contained herein without prior notice.



Housing

• Die cast aluminum fixture housing is 20" diameter with integral tool-less push latch sealing mechanism. Housing features a choice of four heavy-duty, spun aluminum tops.

Thermal Management

• The **California Aria** provides excellent overall thermal management by maximizing the efficiency of the heat sink in the fixture. This enables the **California Aria** to withstand higher ambient temperatures and higher drive currents without degrading LED life.

Door Frame

• Die cast aluminum door frame incorporates one-piece silicone channel gasket to seal the housing completely. The tool-less push latch allows the housing to hinge upwards for direct access to the lamp; and is supported with a hinge and latch mechanism.
• Silicone gasket for complete weather and insect protection.

Optical System

• The highest lumen output **Evo/C LEDs** are utilized. Estimated life of the LEDs is 100,000+ hours. IES distributions Types I, II, III, IV and V are standard. The LED light engines are field replaceable. Available with up to 84 LEDs. The optical system qualifies as IES full cutoff; and is Dark-Sky certified to restrict light trespass, glare and light pollution for neighborhood-friendly lighting.
• CRI values are 70 for 4000K and 75 for 5500K.

Quali-Guard® Finish

• Fixture components are chemically pretreated through a multiple stage washer and finished with an electrostatically applied, thermoset polyester powder coat textured paint with a 3 to 5 mils thickness. Finish is oven baked at 400 °F for maximum adherence and finish hardness.
• Available in standard and custom colors.
• Finish is guaranteed for five (5) years.

Post Top Mount

• The **California Aria's** contractor-friendly mounting hardware is concealed inside the post-top fitter; which slips over 3" O.D. x 4" tall tenon with a special threaded mounting plate and is secured by a high-strength bolt. No exposed hardware.

Electrical Assembly

• The **California Aria LED series** is supplied with a high-performance LED driver, located in the cast base, that accepts 120 V through 277 V, 50 Hz to 60 Hz input. Power factor is 90%. Rated for -40 °F operation.
• A dual circuit, two-lead system that allows for dual switching and on-site control management.
• 2 kV surge protector supplied as standard.
• Driver is compatible with dimmer from 0-10 volts.

Warranty

• Five (5) year Limited Warranty on entire system, including finish. For full warranty information, please visit VisionaireLighting.com.

Solar Panel Option

• The **California Aria LED** is compatible for use with Visionaire Lighting's Solar Panel Pole™.

Options

- Finials
- Button type photocell
- Dual circuit
- Fusing
- Cutoff louver system

Please consult factory for detailed custom options.

Listings

- **California Aria** is  listed, suitable for wet locations.
- Dark-Sky Friendly® certified by the International Dark-Sky Association.
- IP65 Pending.
- LM79 and LM80.
- Powder Coated Tough™ 
- RoHS compliant.

Housing Shades



**CAL-1-L
NO FINIAL**



**CAL-2-L
FIN2**



**CAL-3-L
FIN1**

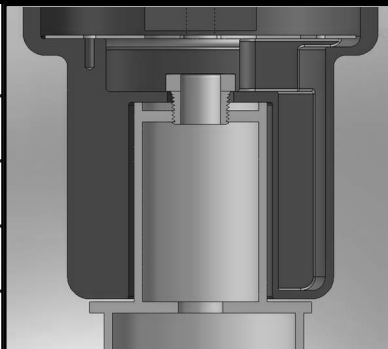


**CAL-4-L
FIN1**

EPA Data

Fixture Only	●
CAL-1-L	2.3
CAL-2-L	2.3
CAL-3-L	2.2
CAL-4-L	2.4

Post Top Tenon Fitter



LED Data Chart for 5500K*

# Bars	# LEDs	Output mA	Type 1	Type 2	Type 2-R	Type 3	Type 4	Type 5	Type 5-W	Type 5-C	Type 5-N	System Watts	L70 Hours
1	42	350	3,840	3,941	3,864	3,754	3,811	3,988	4,140	4,232	4,324	46	150,000
		530	4,647	5,132	5,032	4,925	4,855	5,410	5,644	5,780	5,916	68	100,000
2	84	350	7,507	7,883	7,728	6,663	7,320	7,976	8,280	8,464	8,648	92	150,000
		530	9,155	10,265	10,064	9,988	9,710	10,820	11,288	11,560	11,832	136	100,000

Visit www.VisionaireLighting.com for up-to-the-minute chart information, including types not listed here.

* For 4000K multiply values by 0.97