

California Aria eHID

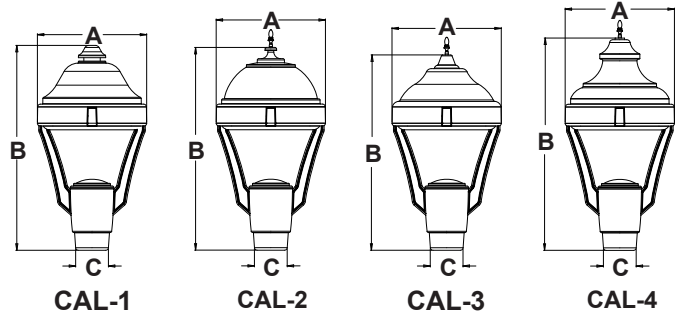
Project Name	Type
Catalog Number	



CAL-1



Dimensional Drawings



Fixture	A	B	C	Max. Watts	Lbs
CAL-1	20"	37½"	6"	140 W	41
CAL-2	20"	37⅛"	6"	140 W	42
CAL-3	20"	35¾"	6"	140 W	39
CAL-4	20"	38⅞"	6"	140 W	39

Beauty meets performance in this feature-rich and highly versatile luminaire series. **California Aria** is a strong, die cast aluminum fixture, manufactured in four architecturally pleasing housing styles, with mix-and-match finials, and a variety of finishes to choose from.

The **California Aria's** patented Vision™ Reflector system distributes light so effectively that fixtures and poles can be spaced farther apart – reducing the number of luminaires required, and resulting in substantial installation, equipment and energy cost savings.

This post top luminaire is a flat lens, IES full cutoff fixture; and is Dark-Sky certified to restrict light trespass, glare and

light pollution for neighborhood-friendly outdoor lighting that is especially desirable in any pedestrian locale.

Available in 60 through 140 watts, the **California Aria** in eHID features CosmoPolis™ pulse start lamps. Their small size increase placement options within the reflector; minimizing the need for light shields. They also offer increased efficiency, lumen maintenance, lamp life and CRI (90). Both systems feature dedicated electronic ballasts for quiet performance and lower wattage requirements than magnetic ballasts.

The **California Aria** is a perfect compliment to any roadway, shopping center, park, walkway or boardwalk environment.

Model	Optics	Wattage	Source	Kelvin	Voltage	Mounting	Finish	Options
CAL-1	Type II (T2)	60 (60)	Cosmo-Polis™ (CPO)	2800 (28K)	208-277 (UNV)	Post Top *Slips over 3"ØD tenon x 4" tall with special threaded mounting plate. Requires special tenon adaptor if poles are not Visionaire Lighting poles. (PT)	Bronze (BZ)	Finials No. 1 (FIN1) No. 2 (FIN2) No. 3 (FIN3) No. 4 (FIN4) Button Type Photocell *Specify voltage (PC208) (PC240) (PC277) Fusing *Specify voltage Single in-line fuse (SF277) Internal Light Shield (ILS)
CAL-2		90 (90)					Black (BK)	
CAL-3	Type III (T3)	140 (140)					White (WH)	
CAL-4							Forest Green (FG)	
	Type IV (T4)						Silver Metallic (SL)	
						Weathered Brown (WB)		
	Type V (T5)					Soft Gold (SG)		
						Custom Color (CC)		

For more detailed information on mounting, wiring or installation instructions, please consult factory. If poles are not ordered with fixtures, please specify mounting requirements. This document contains proprietary information of Visionaire Lighting, LLC. Any use of this information requires the written approval of Visionaire Lighting, LLC. In keeping with our TQM policy of continuous improvement, Visionaire reserves the right to change any specifications contained herein without prior notice.



19645 Rancho Way • Rancho Dominguez, CA • 90220
 Tel: (310) 512-6480 • Fax: (310) 512-6486
 www.visionairelighting.com



Housing

• Die cast aluminum fixture housing is 20" diameter with integral tool-less push latch sealing mechanism. Fixture housing encloses the lamp and Vision™ reflector components exclusively.

Door Frame & Lens

• Die cast aluminum door frame incorporates a one-piece, silicone channel gasket to seal the housing completely. The tool-less push latch allows the housing to hinge upwards for direct access to the lamp; and is supported with a hinge and latch mechanism.
• Lens is clear, tempered flat glass, fully gasketed with a one-piece, extruded silicone gasket for complete weather and insect protection.

Vision™ Optical System

• Patented Vision™ series high performance, multifaceted, segmented, 95% reflectance, anodized aluminum reflectors.
• Vertical lamp reflectors available in four (4) distribution patterns (II, III, IV and V).
• All reflectors are field rotatable in 90° increments and feature tool-less access.

Quali-Guard® Finish

• Fixture components are chemically pretreated through a multiple-stage washer and finished with an electrostatically applied, thermoset polyester powder coat textured paint with a 3 to 5 mils thickness. Finish is oven-baked at 400 °F for maximum adherence and finish hardness.
• Available in standard and custom colors.
• Finish is guaranteed for two (2) years.

Mounting

• Post Top Mount: The cast aluminum post top mount fitter houses the ballast assembly. The contractor-friendly mounting hardware is concealed inside the post top fitter; which slips over 3" O.D. x 4" tall tenon with a special threaded mounting plate and is secured by a high-strength bolt. No exposed hardware.

Ballast Assembly

• Modular ballast assembly is mounted to the cast aluminum fitter; and is removable without the use of tools. Quick disconnect(s) supplied for incoming power and to the lamp, for ease of installation and maintenance.
• The CosmoPolis™ lamp system features dedicated electronic ballasts for quiet performance and more lumens per watt than standard magnetic ballasts.

Options

- Finials
- Button type photocell
- Fusing
- Internal light shield

Please consult factory for custom options.

Listings

- California Aria is  listed, suitable for wet locations.
- Dark-Sky Friendly® certified by the International Dark-Sky Association.
-  compliant.
- Powder Coated Tough™ 
- Vision™ Reflector System (U.S. Patent No. 7,213,948).

Housing Shades

CAL-1 / NO FINIAL



CAL-2 / FIN2



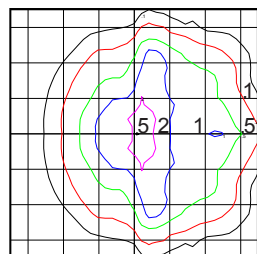
CAL-3 / FIN1



CAL-4 / FIN1



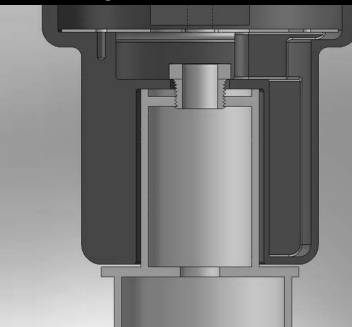
Isolux Curve



CALIFORNIA ARIA-1
TYPE III
COSMO eHID OPTICS
60 WATTS

Scale: 1 Square = 15 ft
Light Loss Factor = 1.00
Mounting Height = 15 ft
Arrangement = Single

Post Top Tenon Fitter



EPA Data

Fixture Only	●
CAL-1	2.3
CAL-2	2.3
CAL-3	2.2
CAL-4	2.4