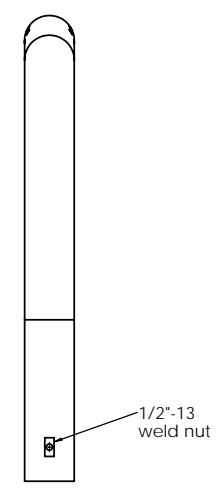
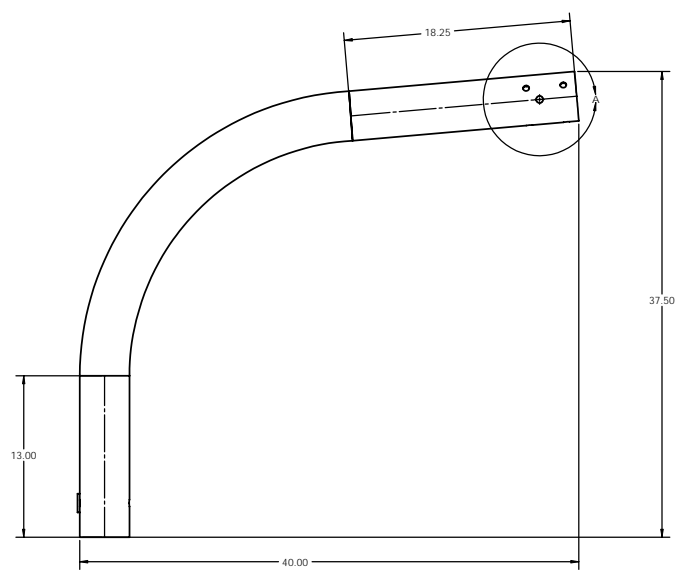
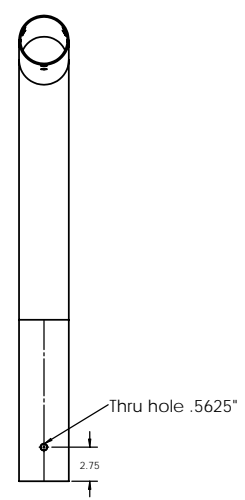
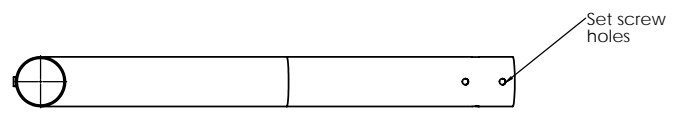
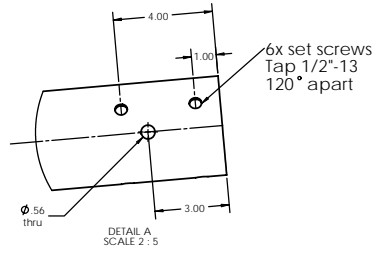
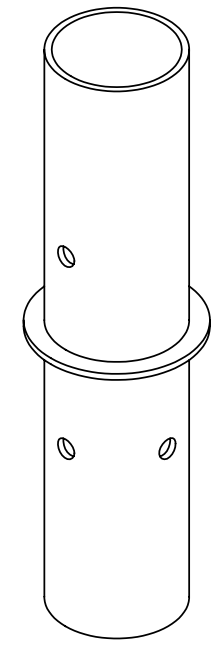
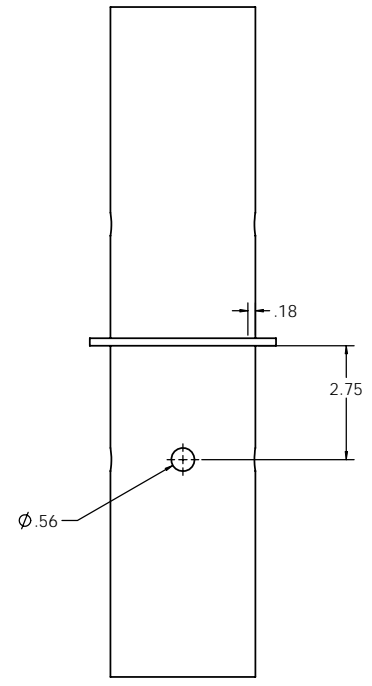
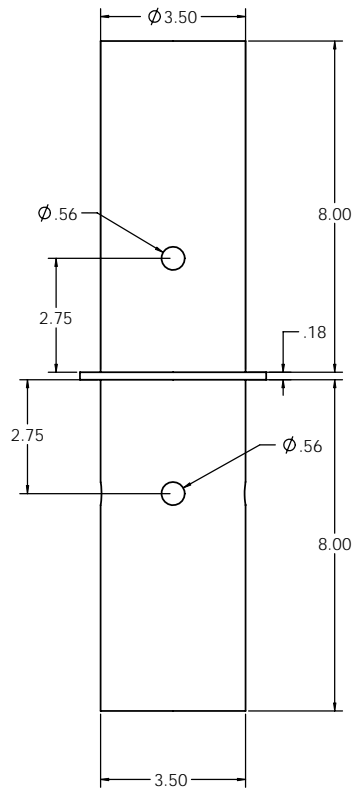
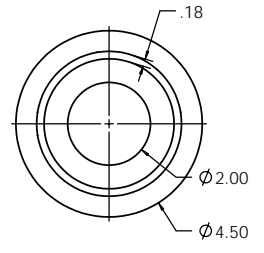


PROPRIETARY AND CONFIDENTIAL  
 ALL INFORMATION CONTAINED HEREIN IS THE SOLE PROPERTY OF  
 VISIONAIRE LIGHTING. ANY REPRODUCTION IN PART OR AS A WHOLE  
 WITHOUT THE WRITTEN PERMISSION OF VISIONAIRE LIGHTING IS PROHIBITED.



UNLESS OTHERWISE SPECIFIED:	UNITS	DATE	
DIMENSIONS ARE IN INCHES	INches	12/2008	
FINISHES ARE:	CHECKED		TITLE: SINGLE DAVIT ARM 4" OD 1 1/2" STEEL X .35" T X .30" L X OVER 3 1/2" OD
FUNCTIONALITY	DESIGNED		
PRODUCTION	MANUFACTURED		
FIELD PLACE INSTALLATION	TESTED		
FIELD PLACE INSTALLATION	FIELD		SIZE DWG. NO. REV <b>D</b> MNT6001 NC
FIELD PLACE INSTALLATION	FIELD		
FIELD PLACE INSTALLATION	FIELD		SCALE: NTS WEIGHT: SHEET 1 OF 1

PROPRIETARY AND CONFIDENTIAL  
 ALL INFORMATION CONTAINED HEREIN IS THE SOLE PROPERTY OF  
 VISIONAIRE LIGHTING. ANY REPRODUCTION IN PART OR AS A WHOLE  
 WITHOUT THE WRITTEN PERMISSION OF VISIONAIRE LIGHTING IS PROHIBITED.

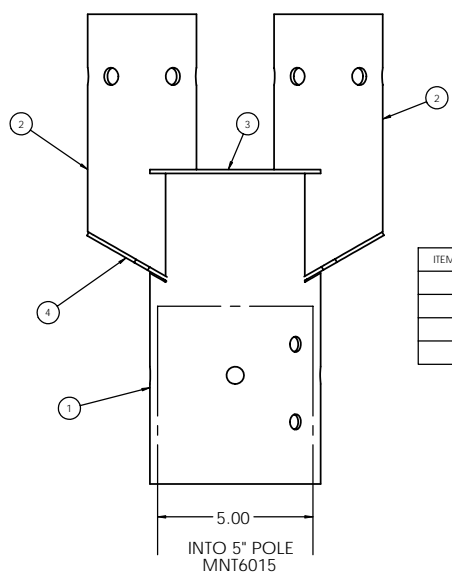


UNLESS OTHERWISE SPECIFIED:		UNITS	INCHES	DATE	12-2008
FINISH	STEEL	COMMENTS			
DESIGNED BY	CHECKED				
PROJECT MANAGER	DATE				
DATE					
SCALE	WEIGHT				

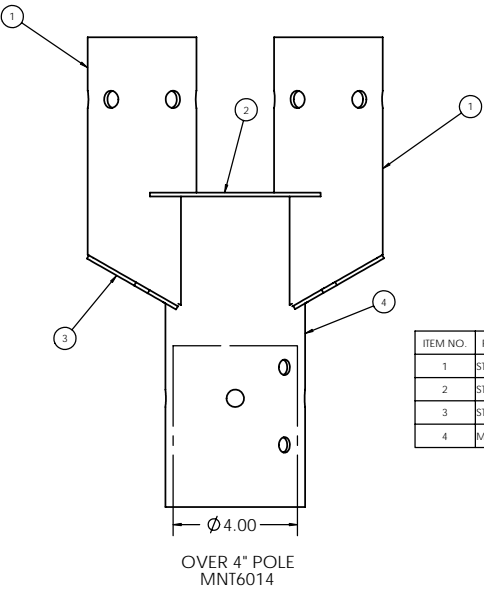
**VISIONAIRE LIGHTING**  
 "NEW" SINGLE TENNIS DAVIT  
 ARM RITA INTO 4" POLE  
 SIZE: D DWG NO: MNT6018 REV: NC  
 SCALE: NTS WEIGHT: SHEET 1 OF 1



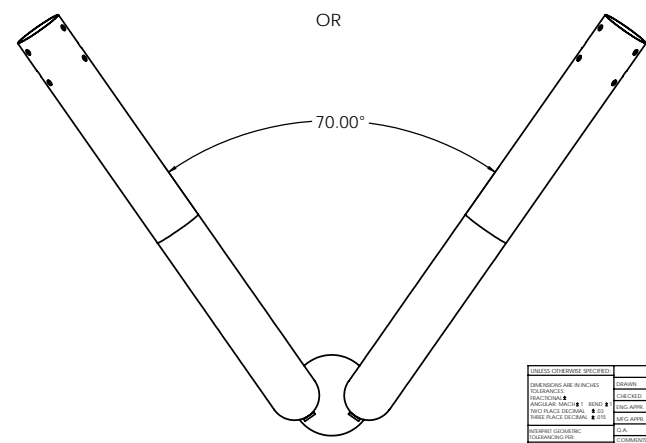
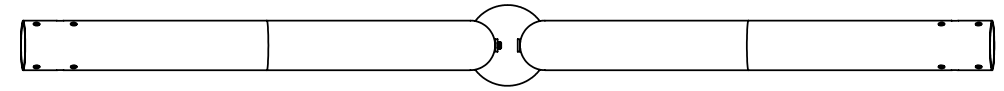
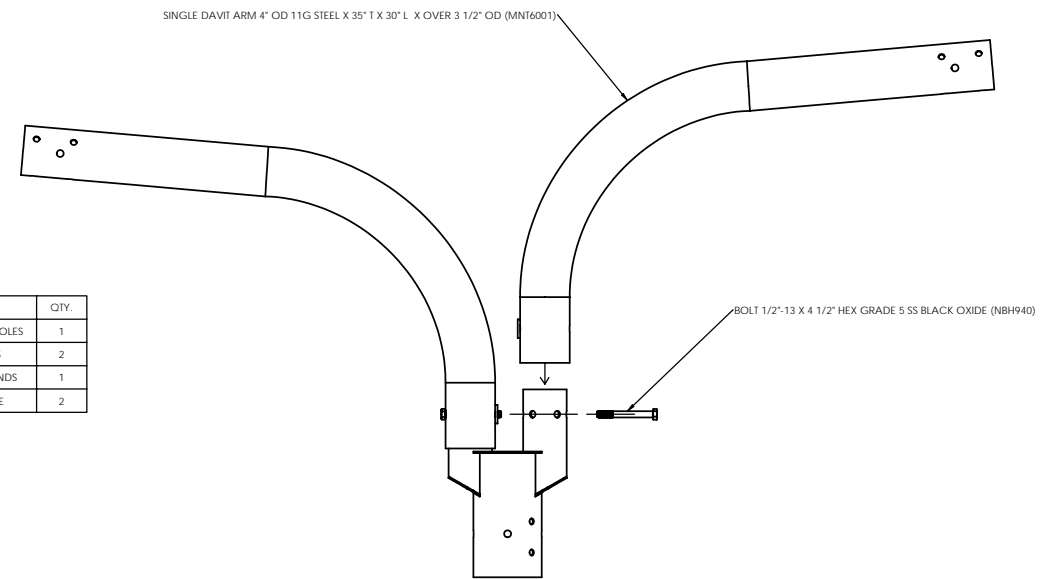
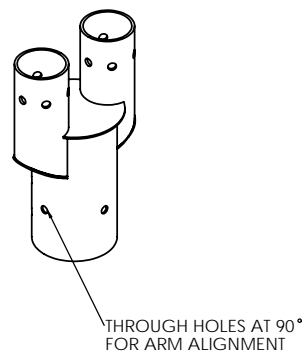
PROPRIETARY AND CONFIDENTIAL  
 ALL INFORMATION CONTAINED HEREIN IS THE PROPERTY OF  
 VISIONAIRE LIGHTING. ANY REPRODUCTION IN PART OR AS A WHOLE  
 WITHOUT THE WRITTEN PERMISSION OF VISIONAIRE LIGHTING IS PROHIBITED.



ITEM NO.	PART NUMBER	DESCRIPTION	QTY.
1	STEEL6015	TNS ADAPTOR FITTER 5 1/2" OD X 10" TALL X 0.180 W/ SLOTS AND SET SCREW HOLES	1
2	STEEL6014-2	TNS ADAPTOR ARM RECEIVER 3 1/2" OD X 9" TALL X 0.180 W/ THRU HOLES	2
3	STEEL6014-4	TNS ADAPTOR DOUBLE TOP CENTER CAP 6 1/2"DIA X 0.188 W/ (2) SLOTTED ENDS	1
4	STEEL6014-3	TNS ARM RECEIVER BOTTOM PLATE 3 1/2" DIAMETER X 0.180 RADIUSED SIDE	2

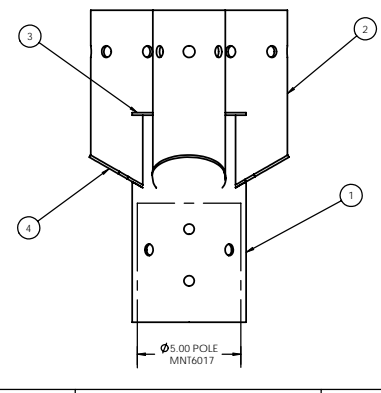
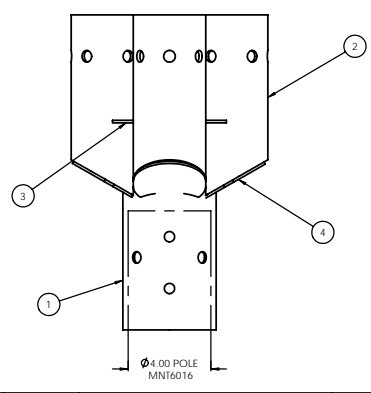


ITEM NO.	PART NUMBER	DESCRIPTION	QTY.
1	STEEL6014-2	TNS ADAPTOR ARM RECEIVER 3 1/2" OD X 9" TALL X 0.180 W/ THRU HOLES	2
2	STEEL6014-4	TNS ADAPTOR DOUBLE TOP CENTER CAP 6 1/2"DIA X 0.188 W/ (2) SLOTTED ENDS	1
3	STEEL6014-3	TNS ARM RECEIVER BOTTOM PLATE 3 1/2" DIAMETER X 0.180 RADIUSED SIDE	2
4	MNT6014-1	TNS ADAPTOR FITTER 4 1/2" OD X 10" TALL X 0.180 W/ SLOTS AND SET SCREW HOLES	1



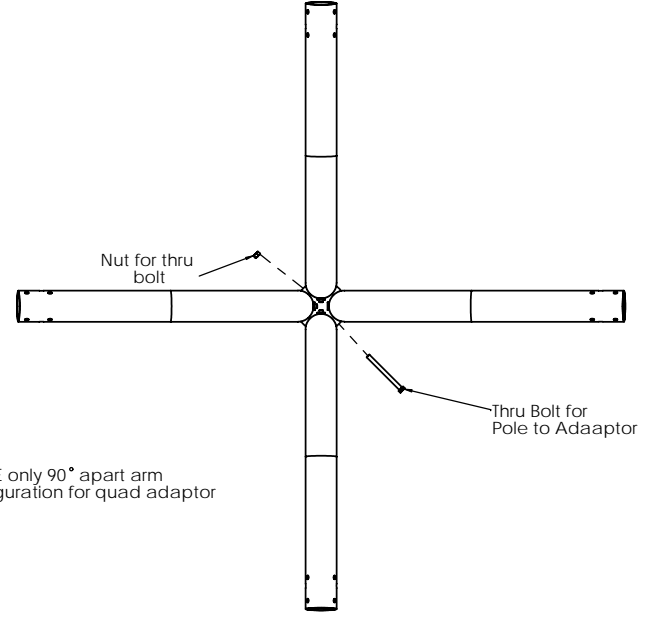
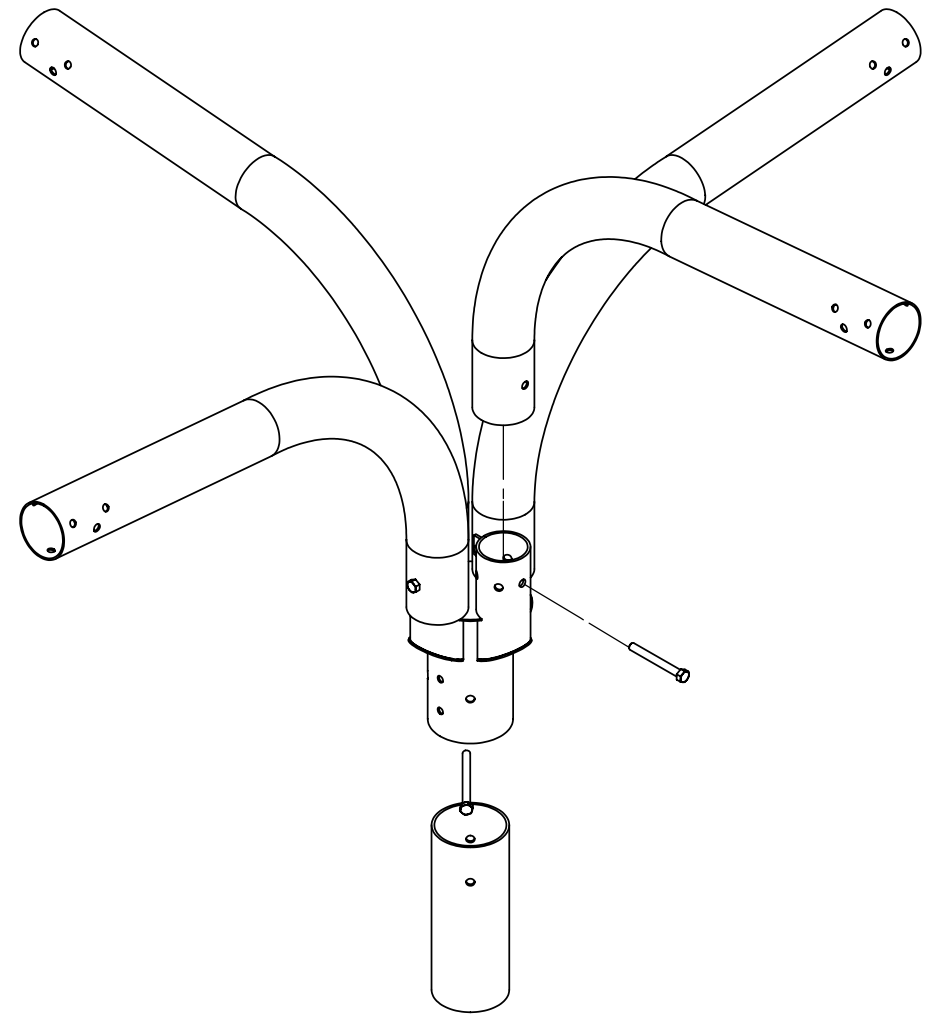
UNLESS OTHERWISE SPECIFIED:	UNITS	DATE	
DIMENSIONS ARE IN INCHES	Imperial	11/17/2009	
FINISHES ARE:	FINISH	FINISH DATE	<b>TENNIS ADAPTOR INSTRUCTIONS</b> SIZE: DWG. NO. REV <b>D   DBL ASSEMBLY   NC</b> SCALE: NTS WEIGHT: SHEET 1 OF 1
DESIGNER: [ ]	CHECKED: [ ]	DATE: [ ]	
PROJECT MANAGER: [ ]	DESIGNED BY: [ ]	DATE: [ ]	
FIELD PLACE ELECTRICAL: [ ]	FIELD PLACE: [ ]	DATE: [ ]	
FIELD PLACE MECHANICAL: [ ]	FIELD PLACE: [ ]	DATE: [ ]	
INSTALLER: [ ]	DATE: [ ]		
INSTALLER: [ ]	DATE: [ ]		
FIELD: [ ]	COMMENT: [ ]		

PROPRIETARY AND CONFIDENTIAL  
 ALL INFORMATION CONTAINED HEREIN IS THE SOLE PROPERTY OF  
 VISIONAIRE LIGHTING. ANY REPRODUCTION IN PART OR AS A WHOLE  
 WITHOUT THE WRITTEN PERMISSION OF VISIONAIRE LIGHTING IS PROHIBITED.



ITEM NO.	PART NUMBER	DESCRIPTION	QTY.
1	STEEL6018	TNS QUAD ADAPTOR FITTER 4 1/2" OD X 10" TALL X 0.18 W/ (4) SLOTS AND SS HOLES	1
2	STEEL6014-2	TNS ADAPTOR ARM RECEIVER 3 1/2" OD X 9" TALL X 0.180 W/ THRU HOLES	4
3	STEEL6014-5	TNS ADAPTOR QUAD TOP CENTER CAP 6 1/2" DIA X 0.188 W/ (4) SLOTTED ENDS	1
4	STEEL6014-3	TNS ARM RECEIVER BOTTOM PLATE 3 1/2" DIAMETER X 0.180 RADIUS SIDE	4

ITEM NO.	PART NUMBER	DESCRIPTION	QTY.
1	MNT6017	TNS QUAD ADAPTOR FITTER 5 1/2" OD X 10" TALL X 0.18 W/ (4) SLOTS AND SS HOLES	1
2	STEEL6014-2	TNS ADAPTOR ARM RECEIVER 3 1/2" OD X 9" TALL X 0.180 W/ THRU HOLES	4
3	STEEL6014-5	TNS ADAPTOR QUAD TOP CENTER CAP 6 1/2" DIA X 0.188 W/ (4) SLOTTED ENDS	1
4	STEEL6014-3	TNS ARM RECEIVER BOTTOM PLATE 3 1/2" DIAMETER X 0.180 RADIUS SIDE	4



\*NOTE only 90° apart arm configuration for quad adaptor

UNLESS OTHERWISE SPECIFIED:		UNITS	DATE	
DIMENSIONS ARE IN INCHES		INCHES	12/2008	
FRONT VIEW	CHECKED	DESIGNED		<b>TITLE:</b> QD TENNIS DAVIT ARM ADAPTOR OV 4" OD & OV 5" OD
RIGHT SIDE VIEW				
TOP VIEW				
ISOMETRIC VIEW				
MATERIAL	STEEL	COMMENT		<b>SCALE:</b> NTS <b>WEIGHT:</b> <b>REV</b>
SIZE	DWG. NO.	REV		<b>QD ASSEMBLY INC</b> SHEET 1 OF 1